

technical parameter

Rated current: 1A

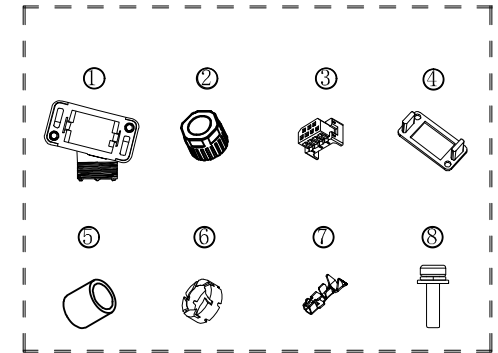
Rated voltage: 100VAC rms

Insulation withstand voltage: 500VAC (r.m.s)/1-minute

Insulation impedance: 500MΩ Min. at 500VDC

Operating temperature: -20°C - 105°C

Protection level: IP67



8	Screw	SPCCM2*12 Black	2
7	Contact	C5191-H,gold-plated	7
6	Clamp	PA66+30GF UL94V-0 Black	1
5	Seal	Rubber,TPPA Black	1
4	Seal	Rubber,TPPA Black	1
3	Insert	PA66+30GF UL94V-0 Black	1
2	Nut	PA66+30GF UL94V-0 Black	1
1	Body	PA66+30GF UL94V-0 Black	1
No.	PART NAME	DESCRIPTION	Q'TY

1

2

3

4

5

6