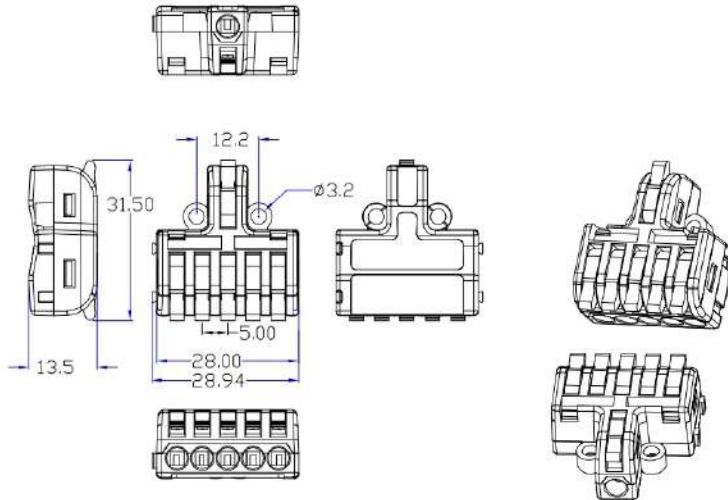




Product NO.		RHT-629-0056		
ISSUE	DESCRIPTION	DWN	DATE	APPROVEN
RL0	First issue	XIEFENG	2023.05.29	JIM.KING

part number	/
product name	terminal blocks
rated voltage	250V
rated current	32A
welding range	rigid line 0.2-4.0mm ² flexible line 0.2-2.5mm ²
stripping length	9-10mm/0.39in
oper. temp	-20°C~105°C
/	
plastic material	FRN-PC
contact material	red copper
spring	SUS



-TOLERANCES- UNLESS OTHERWISE SPECIFIED		PART DESCRIPTION: terminal blocks				
UNLESS OTHERWISE SPECIFIED TOLERANCES FOR MILLIMETERS ARE 0.30±0.05mm 0.0±0.10mm 0 ±0.20mm		Appr:	P/N: RHT-629-0056			
		Check:	Date	Scale	Unit	Type Page
		Draw:	2023.05.29	Free	MM	Z 1/1

No.	PART NAME	DESCRIPTION	QTY
1			
2			
3			
4			
5			
6			