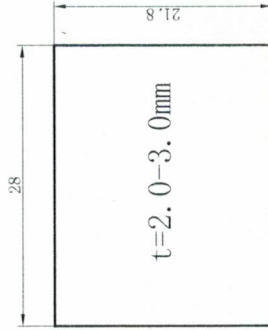
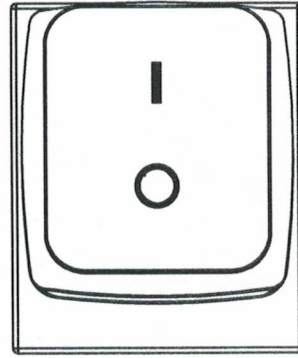
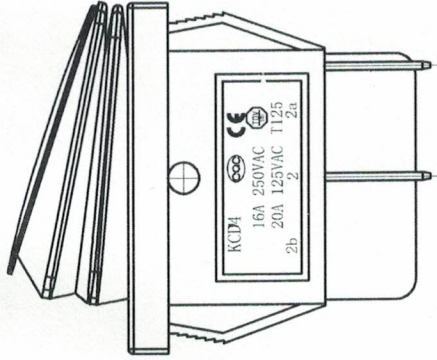
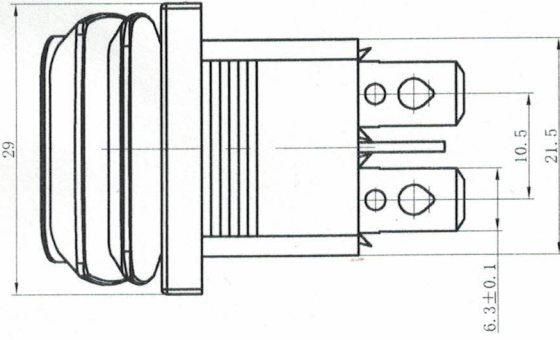
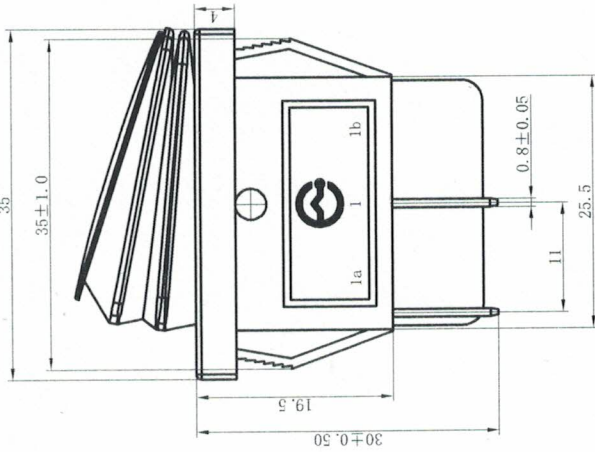
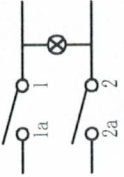


The Main Thchnology Performance



Item	Parameter
Circuit	
Rated voltage	16A 250VAC
Rated current	20A 125VAC
Insulated resistance	$\geq 100M \Omega$
Contact resistance	$\leq 100m \Omega$
Dielectric strength	$\geq 1500V/5S$
Endurance	≥ 10000
Ambient temperature	T 55

MARK	AMOUNT	MODIFY FILE NO.	CHANGE BY	DATE	THE FIRST ANGLE PROJECTION	
					SCALE 1:3:1	GENERAL TOLERANCE
					UNIT	$>0.5 \sim 6$
					mm	± 0.10
					WEIGHT	$>6 \sim 30$
						± 0.30
						$>30 \sim 120$
						± 0.50
					ANGLE	$\pm 2^\circ$

ROCKER SWITCHES

DESIGNATION:
KCD4-201ANR