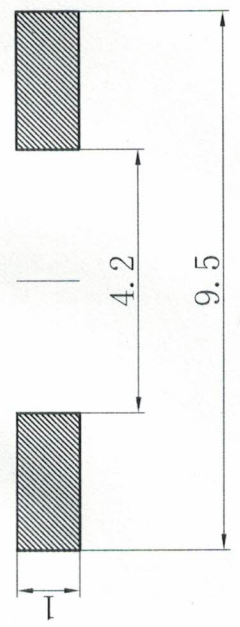
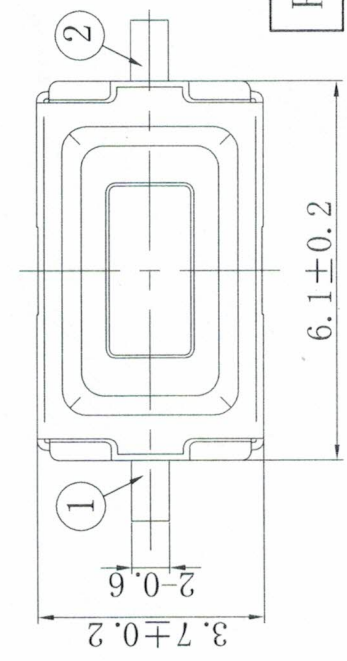
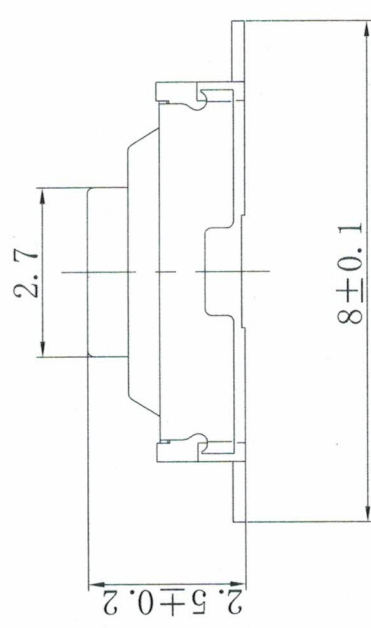
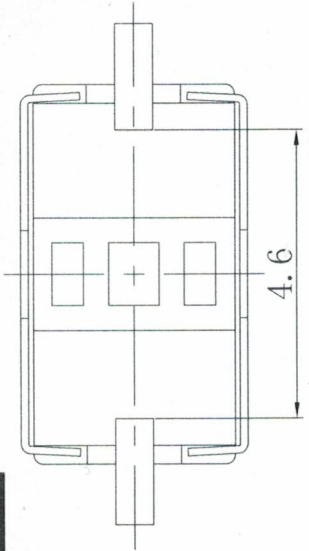
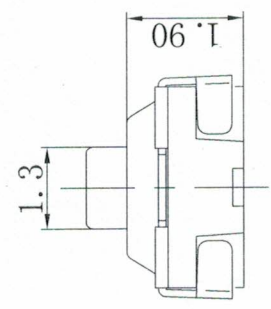


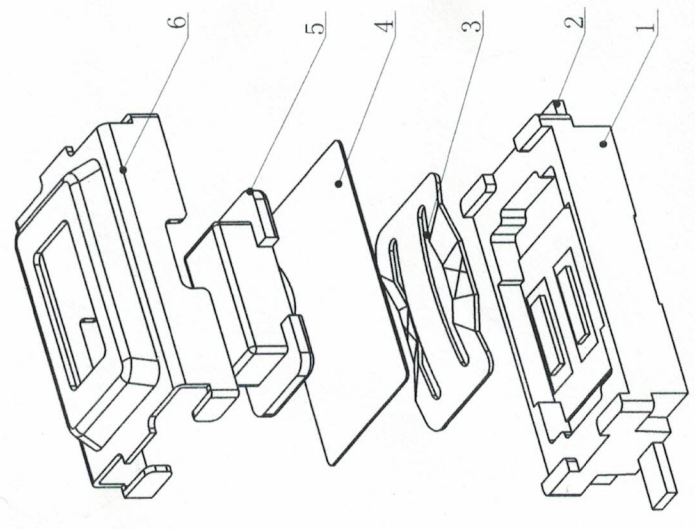
**ROHS**  
Compatible



P.C.B. LAND DIMENSION



CIRCUIT DIAGRAM



**SPECIFICATION**

1. Rating: DC 12V 50mA Max
2. Contact resistance: 100mΩ MAX
3. Insulation resistance: 100MΩ Min
4. Dielectric strength: 250VAC/min
5. Operating force: 250gf±50gf
6. Operating life: 100,000 cycles

**REFERENCE DRAWING**

REV	MARK	DESCRIPTION	DATE	APPROVED

6	COVER	1	SUS304	REMARK
5	STEM	1	LCP	Red
4	TAPE	1	PI	
3	CONTACT FORM	1	SUS301	Silver coated
2	TERMINAL	1	H65	Ag plating
1	HOUSING	1	LCP	BLACK
NO	PART NAME	QTY	MATERIAL	REMARK
DRAWN	QW. HONG	DATE	SCALE: 15:1	TACT SWITCH
CHKD	XK. WANG	DATE	VIEW:	PART NO
APVD	GJ. ZHAO	DATE	UNIT: mm	DWG. NO

UNSPECIFIED	TOLERANCE
ANGULAR	±0.5°
16 < L ≤ 63	±0.4
4 < L ≤ 16	±0.3
L ≤ 4	±0.2