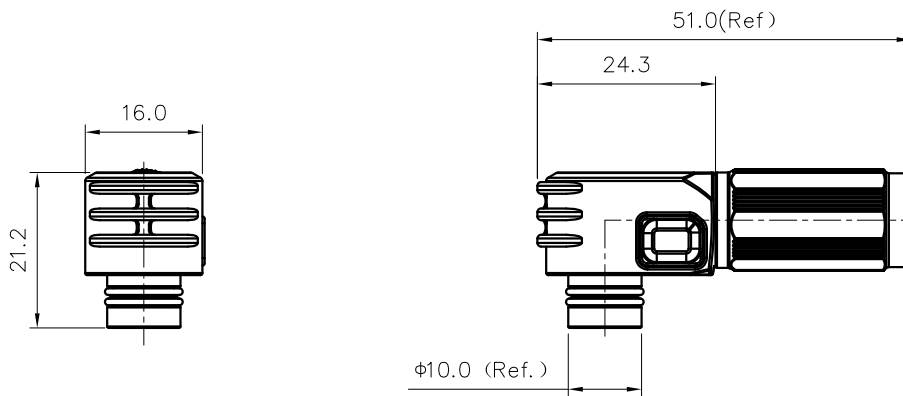


Transfer or duplication of this document as well as the utilization or communication of its contents are prohibited unless explicit authorization is granted. Violations will be liable for compensation. All rights reserved for patent, utility, model or designs registrations. 除非给予明确授权，否则禁止转让、复制、利用、交易本文件的内容。未经许可擅自复制或发明，使用者将承担法律责任。本公司保留对涉及发明、实用新型和外观设计的所有权利。

Dimensional tolerance(mm)					Length tolerance(mm)				0.10/10 ±2°
0 ~ 30	>30 ~ 60	>60 ~ 100	>100 ~ 150	>150 ~ 5000	0 ~ 5000	5000 ~ 10000	10000 ~ 30000	>30000	
±0.25	±0.35	±0.55	±0.80	±1.10	±55	±105	±205	±505	

额定电压电流/Rated Voltage/Current	1000V/70A
绝缘电阻/Insulation resistance	≥100MΩ
插拔次数/Mechanical working life(mating cycles)	100
耐电压/Withstanding voltage	4250V DC
使用温度范围/Operating temperature(°C)	-40~+125°C
防水等级/Levels of protection	IP67
接线方式/Terminal	Crimp Termination
线径/Wire range	8AWG/10mm <sup>2</sup>
剥线长度/Stripping length(mm)	8~9
符合RoHS环保要求/Conform to RoHS	Yes



MATERIAL: /		SURFACE: /	
MAT NO.:		宁波高松电子有限公司 NINGBO DEGSON ELECTRICAL CO., LTD	
STATUS: /			
APPD:		NAME: ESP-70A-10-BK-00	
CHKD:			
DRFT: Luo XF 2022.06.02		DRAWING NO.:	
REV	ECN	DESCRIPTION	DRFT
			DATE
SIZE: A4		TYPE: CUSTOMER DRAWING	
SCALE: 1:1		SHEET 1/1	