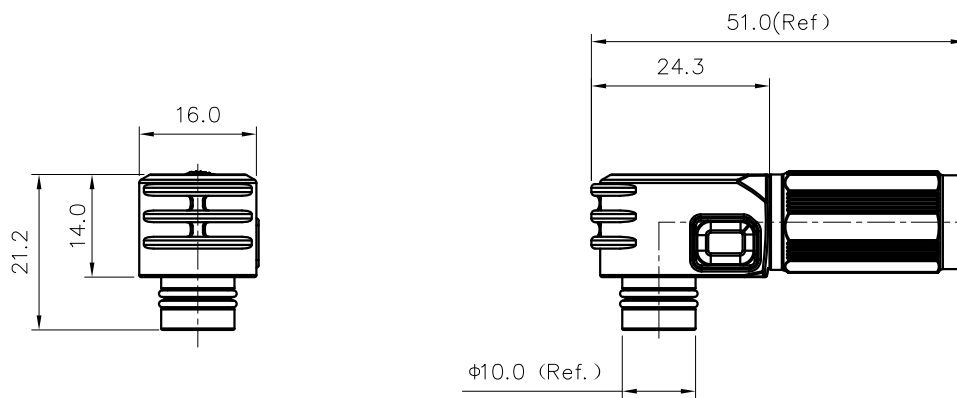


Transfer or duplication of this document as well as the utilization or communication of its contents are prohibited unless explicit authorization is granted. Violations will be liable for compensation. All rights reserved for patent, utility, model or designs registrations. 除非给予明确授权，否则禁止转让、复制、利用、交易本文件的内容。侵犯者将承担赔偿责任。未经许可擅自复制或传播，使用者将承担所有法律责任。



Dimensional tolerance(mm)					Length tolerance(mm)				0.10/10 ±2°
0 ~ 30	>30 ~ 60	>60 ~ 100	>100 ~ 150	>150	0 ~ 5000	5000 ~ 10000	10000 ~ 30000	>30000	
±0.25	±0.35	±0.55	±0.80	±1.10	±55	±105	±205	±505	
额定电压电流/Rated Voltage/Current								1000V/50A	
绝缘电阻/Insulation resistance								≥100MΩ	
插拔次数/Mechanical working life(mating cycles)								100	
耐电压/Withstanding voltage								4250V DC	
使用温度范围/Operating temperature(°C)								-40~+80°C	
防水等级/Levels of protection								IP67	
接线方式/Terminal								Crimp Termination	
线径/Wire range								10AWG/6mm ²	
剥线长度/Stripping length(mm)								8~9	
符合RoHS环保要求/Conform to RoHS								Yes	

MATERIAL: /		SURFACE: /							
MAT NO.:		宁波高松电子有限公司 NINGBO DEGSON ELECTRICAL CO., LTD							
STATUS: /									
APPD:		NAME: ESP-50A-06-BK-00							
CHKD:		DRAWING NO.:							
DRFT: Luo XF 2022.12.06		REV: 00							
REV	ECN	DESCRIPTION	DRFT	DATE	SIZE: A4	TYPE: CUSTOMER DRAWING	SCALE: 1:1	SHEET	1/1