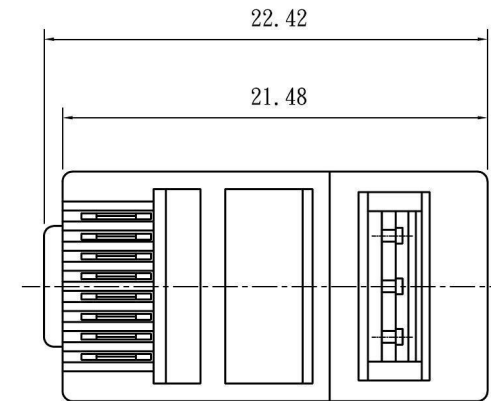
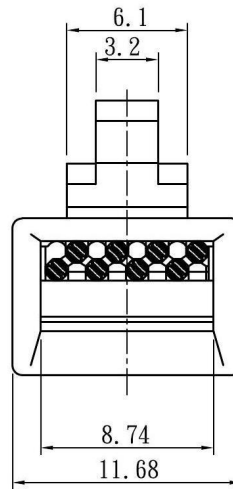
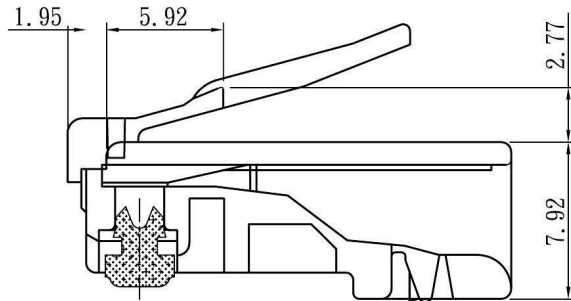
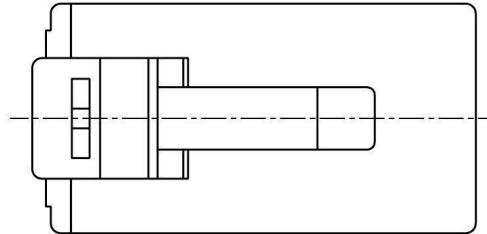
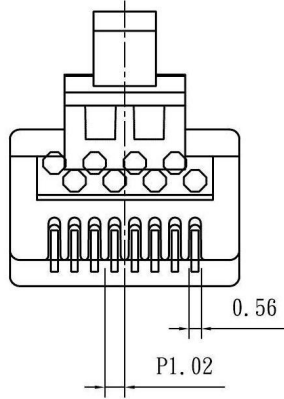


ORDER INFORMATION

SPECIFICATION

MECHANICAL:

1. Housing Material: Polycarbonate, UL 94V-2.
NO Poison
2. Material Contact: Phosphor Bronze.
3. Housing Color: Transparence.
4. Operation Temperature: -40°c to 125°c.
5. Cable to Tensile Strength: 7.7Kgs



Spectra **Connectronics Pvt. Ltd.**
HOUSE OF CONNECTORS

TITLE	MODULAR PLUG			
PART NO.	9105-88		DATE	07/26/2006
DRAWING NO.	REV.	A	DRAWN	
CUSTOMER P/N	SCALE	FREE	CHECKED	
TOLERANCE	UNIT	mm	APPROVED	