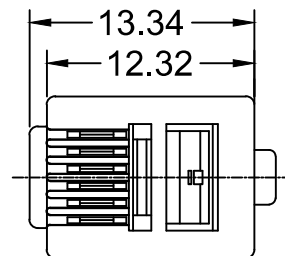
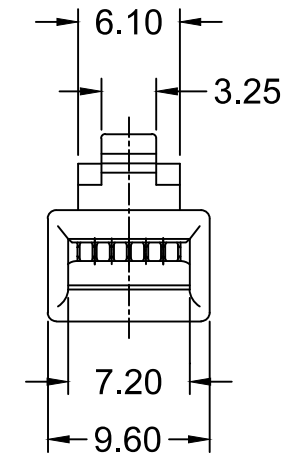
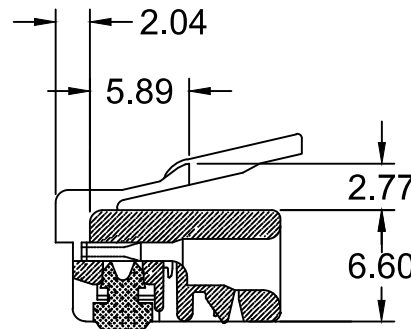
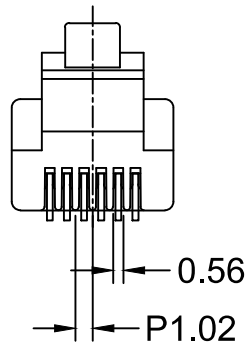
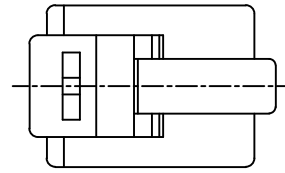


SPECIFICATION

MECHANICAL:

1. Housing Material: Polycarbonate, UL 94V-2. NO Poison  
UL 94V-0. NO Poison
2. Material Contact: Brass / Phosphor Bronze. .
3. Gold Plating: FU" 2-3U" 3U" 6U" 15U" 30U" 50U"
4. Contact area plated Nickel over 60u",  
the other area plated Nickel over 30u".
5. Housing Color: Transparence.
6. Operation Temperature: -40°c to 80°c.



NOTE TOL: ±0.1

A	2004/11/11				
REV	/DATE	/DESCRIPTION			
UNIT	m/m	DRAWING		DATE	2004/11/11
SCALE	1/1	CHECKED		DATE	
3RD		APPROVED		DATE	
Item	6P6C				
Description					
Part No	9105-66				

