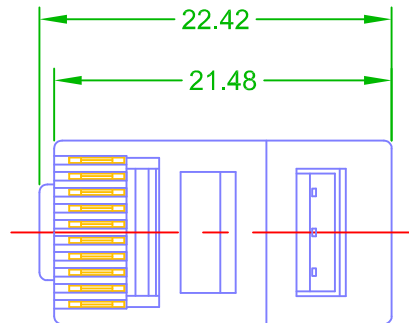
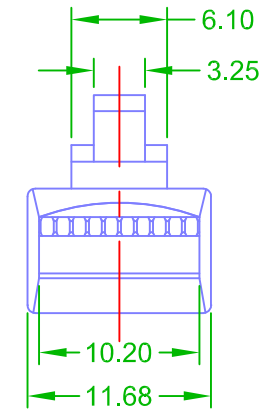
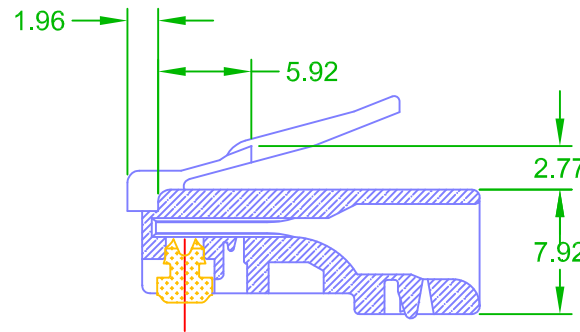
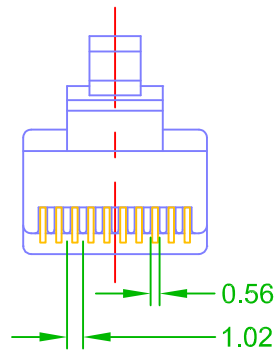
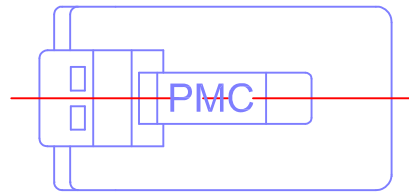


SPECIFICATION MECHANICAL

1. Housing Material: Polycarbonate, UL 94V-2 NO Poison.
 UL 94V-0 NO Poison.
2. Material Contact: 6U" Below Brass, 15U" Above Phosphor Bronze.
3. Gold Plating: FU" 2-3U" 3U" 6U" 15U" 30U" 50U",
the other area plated gold over FU".
4. Contact area plated Nickel over 60u", the other area plated Nickel over 30u".
5. Housing Color: Transparence.
6. Operation Temperature: -40°C to 80°C.
7. NO: P10-003



B	2015/04/22				
A	2004/11/11				
版本/REV	日期/DATE	說明/DESCRIPTION			
單位 UNIT	m/m	繪圖 DRAWING	日期 DATE	2004/11/11	品名 Item
比例 SCALE	1/1	核對 CHECKED	日期 DATE		規格 Description
3RD	☉ ☐	核准 APPROVED	日期 DATE		圖號 Part No

品名 Item	10P10C
規格 Description	R
圖號 Part No	9105-1010

NOTE TOL: ±0.1

