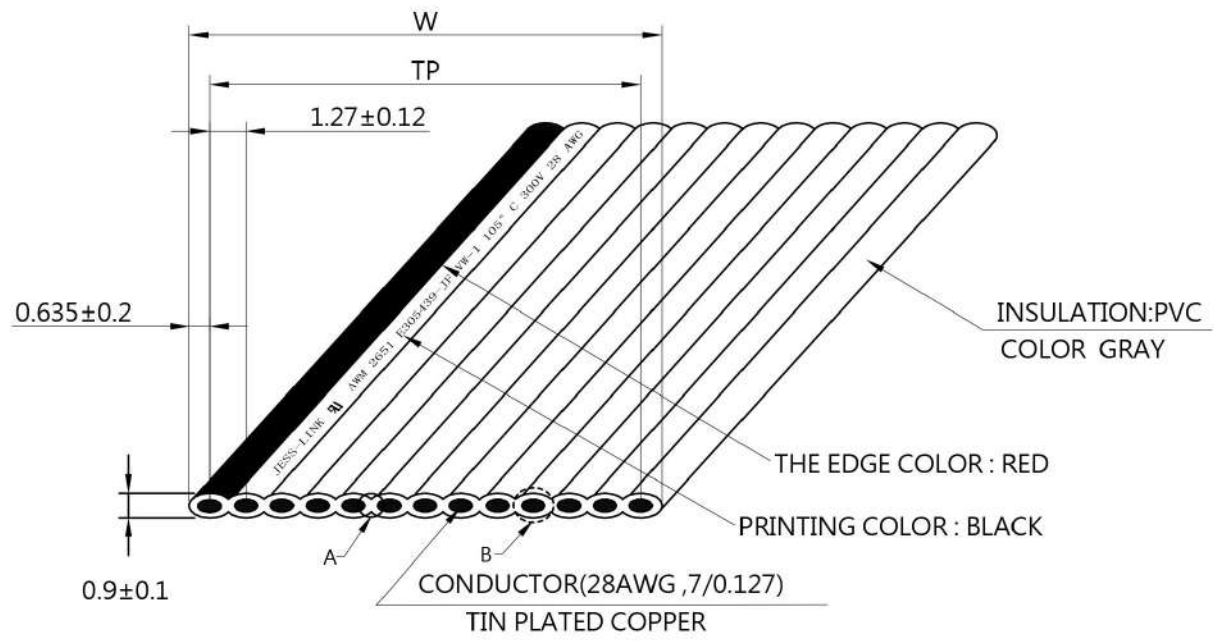


(M1)			
(M2)			

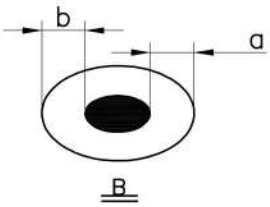
THIS DRAWING AND THE DATA DISCLOSED HEREIN OR HEREWITH IS NOT TO BE REPRODUCED USED OR DISCLOSED IN WHOLE OR IN PART TO ANYONE WITHOUT THE PERMISSION OF JESS-LINK PRODUCTS CO.,LTD.(JPC)

CUSTOMER DRAWING

REV.	DESCRIPTION	MDF'D	APP'D	DATE
A1	First Edition	Pefer		7/02/2020
A2	Added 13Pin SPEC.	Ling		7/20/2020
A3	Modification of printing content	Ling		1/04/2021



$S(\text{Eccentricity}) = |a-b|/2 < 0.08$



- PRINTING:**
- ① JESS-LINK AWM 2651 E305439-JF VW-1 105°C 300V 28AWG
 - ② NO PRINTING LESS THAN 6 CORES; NO EDGE MARKING LESS THAN 4 CORES

RoHS COMPLIANT	Unit : mm	PROJECTION			
	GENERAL TOLERANCES: (UNLESS SPECIFIED)				
	0 = ±1	D.R. Ling	TITLE HF series 28AWG P=1.27	CUSTOMER	FILE NO. 769P040032
	0.0 = ±.50	CH.K Pefer		CUSTOMER P/N	
0.00 = ±.20	APV.D Benson	SCALE NONE	SIZE A4	PART NO. PCB1132648J6-6	REV. A3
0.000 = ±.05					SH,T NO.1 OF 3
σ = ± 1'					
0.σ = ±.50'					

THIS DRAWING AND THE DATA DISCLOSED HEREIN OR HEREWITH IS NOT TO BE REPRODUCED USED OR DISCLOSED IN WHOLE OR IN PART TO ANYONE WITHOUT THE PERMISSION OF JESS-LINK PRODUCTS CO.,LTD.(JPC)

CUSTOMER DRAWING

REV.	DESCRIPTION	MDF'D	APP'D	DATE
A1	First Edition	Pefer		7/02/2020
A2	Added 13Pin SPEC.	Ling		7/20/2020
A3	Modification of printing content	Ling		1/04/2021

CODE NO.	NUMBER OF CORES	WIDTH (mm)	TP(mm)	ALLOWABLE ERROR mm
HF-4	4	5.08	3.81	±0.15
HF-5	5	6.35	5.08	±0.15
HF-6	6	7.62	6.35	±0.15
HF-7	7	8.89	7.62	±0.15
HF-8	8	10.16	8.89	±0.15
HF-9	9	11.43	10.16	±0.15
HF-10	10	12.70	11.43	±0.15
HF-12	12	15.24	13.97	±0.15
HF-13	13	16.51	15.24	±0.15
HF-14	14	17.78	16.51	±0.15
HF-15	15	19.05	17.78	±0.15
HF-16	16	20.32	19.05	±0.15
HF-18	18	22.86	21.59	±0.15
HF-19	19	24.13	22.86	±0.15
HF-20	20	25.40	24.13	±0.15
HF-22	22	27.94	26.67	±0.20
HF-24	24	30.48	29.21	±0.20
HF-25	25	31.75	30.48	±0.20
HF-26	26	33.02	31.75	±0.20
HF-28	28	35.56	34.29	±0.20



CODE NO.	NUMBER OF CORES	WIDTH (mm)	TP(mm)	ALLOWABLE ERROR mm
HF-30	30	38.10	36.83	±0.20
HF-34	34	43.18	41.91	±0.20
HF-36	36	45.72	44.45	±0.20
HF-37	37	46.99	45.72	±0.20
HF-40	40	50.80	49.53	±0.20
HF-44	44	55.88	54.61	±0.20
HF-50	50	63.50	62.23	±0.20
HF-60	60	76.20	74.93	±0.20
HF-64	64	81.28	80.01	±0.20
HF-68	68	86.36	85.09	±0.20
HF-76	76	96.52	95.25	±0.20
HF-80	80	101.6	100.3	±0.20

RoHS COMPLIANT	Unit : mm	PROJECTION		SPECTRA CONNECTRONICS LLP	
	GENERAL TOLERANCES: (UNLESS SPECIFIED)				
	0 = ±1	D.R. Ling	TITLE	CUSTOMER	FILE NO.
	0.0 = ±.50	CH.K Pefer	HF series 28AWG P=1.27	CUSTOMER P/N	
0.00 = ±.20	APV.D Benson	SCALE	SIZE	PART NO.	REV. A3
0.000 = ±.05		NONE	A4	PCB1132648J6-6	SH,T NO.3 OF 3
σ = ± 1'					
0.07 = ±.50'					

(M1)						REV.	DESCRIPTION	MDF'D	APP'D	DATE
(M2)						A1	First Edition	Pefer		7/02/2020
						A2	Added 13Pin SPEC.	Ling		7/20/2020
						A3	Modification of printing content	Ling		1/04/2021

THIS DRAWING AND THE DATA DISCLOSED HEREIN OR HEREWITH IS NOT TO BE REPRODUCED USED OR DISCLOSED IN WHOLE OR IN PART TO ANYONE WITHOUT THE PERMISSION OF JESS-LINK PRODUCTS CO.,LTD.(JPC)

CUSTOMER DRAWING

一.SPECIFICATIONS:


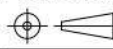
UL GRADE:
 UL Style.....2651
 Rate Temperature.....-20°C To105°C
 Rate Voltage.....300V
 Flame Test.....VW-1

三. ELECTRONIC CHARACTERISTICS:

Spark test.. ..3000V
 Dielectric strength test.. .. 2KV in 1 minute
 Conductor resistance.. ..MAX 237Ω/km
 Insulation resistance.. ..Min 250MΩ/10FT
 Capacity.. ..60PF/m(G-S-G) 42PF/m(G-S)(REF)
 Inductance.. ..1.45μ H/m(REF)
 Impedance.. ..160+/-20Ω(G-S-G) (REF)
 Propagation delay time.. ..5.0 ns/m(REF)

二.PHYSICAL PROPERTY:

Stranded conductor
 AWG size.. ..28 AWG
 Material of insulation.. ..Polyvinyl chloride(PVC) gray
 Insulation thickness average.. ..9 mils
 Min insulation thickness.. ..7 mils

RoHS COMPLIANT	Unit : mm	PROJECTION	 SPECTRA CONNECTRONICS LLP		
	GENERAL TOLERANCES: (UNLESS SPECIFIED)				
	0 = ±1	D.R. Ling	TITLE	CUSTOMER	FILE NO.
	0.0 = ±.50	CH.K	HF series 28AWG P=1.27	CUSTOMER P/N	769P040032
	0.00 = ±.20	Pefer	SCALE	SIZE	PART NO.
0.000 = ±.05	APV.D	NONE	A4	PCB1132648J6-6	
σ = ± 1°	Benson			REV. A3	
0.0° = ±.50°				SH,T NO.2 OF 3	