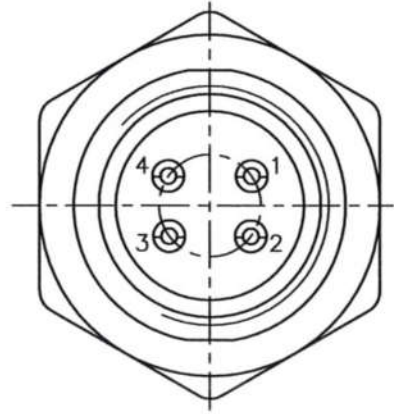
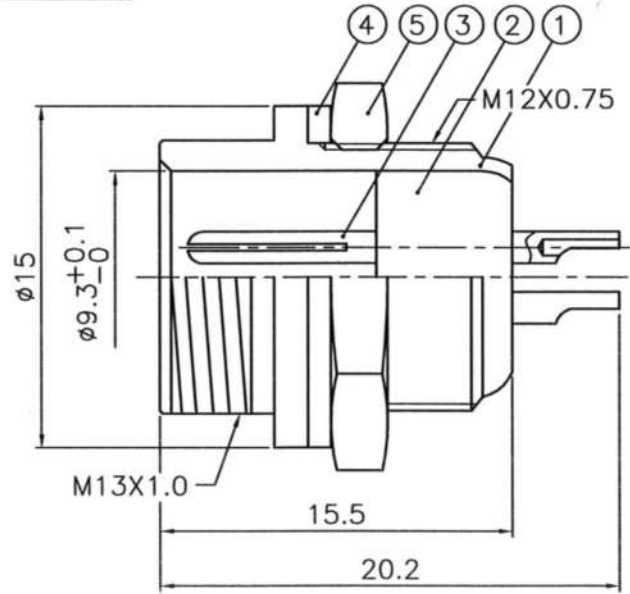
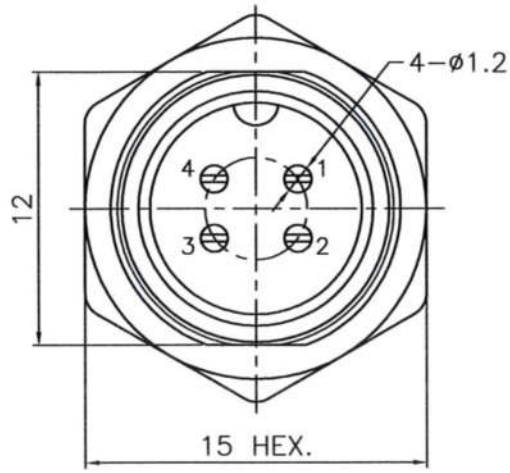
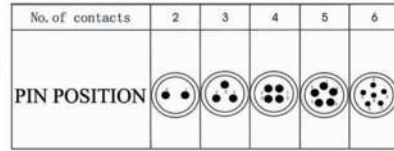


REVISIONS		
ISS	ZONE	DESCRIPTION\PER REQUEST\DATE
V	OPEN	
	CLOSED	

ELECTRICAL	
CONTACT RESISTANCE	10 mohms max.
INSULATOR RESISTANCE	1000 mohms min.
CURRENT RATING	2~4P-5A, 5~6P-3A
VOLTAGE PROOF	125 VAC

NO.OF CONTACTS	2P	3P	4P	5P	6P
RATED CURRENT/VOLTAGE	5A-125V	5A-125V	5A-125V	3A-125V	3A-125V
WORK VOLT (AC.V)	200	200	200	200	200
DIELECTRIC WITHSTANDING VOLTAGE (AC.V/min)	1500	1500	1500	1500	1500
INSULATION RESISTANCE (M ohm)/500V	1500	1500	1500	1500	1500
CONTACT RESISTANCE (M ohm)/A	10	10	10	10	10



NO.	DESCRIPTION	MATERIAL	FINISH	Q'TY	DRAWING NO.
5	HEX. NUT	H59-1	NICKEL	1	
4	WASHER	70#	NICKEL	1	
3	PIN	H59-1	NICKEL	4	
2	INSULATOR	BAKELITE	BLACK	1	
1	BODY	ZZnAL4-1	NICKEL	1	

DIMENSIONS ARE IN MILLIMETERS	
UNLESS OTHERWISE SPECIFIED TOLERANCES	
ANGLES = ±5°	
UP TO 6 = ±0.2	
6-40 = ±0.4	
40-120 = ±0.6	
120-315 = ±1	
ABOVE 315 = ±1.6	
THIRD_ANGLE	$\oplus \ominus$
SCALE	3/1

APPROVED	<i>Hunk Huang</i>	DATE	2011-08-04
CHECKED		DATE	2011-08-04
DRAWN	<i>Sandy Wu.</i>	DATE	2011-08-04
FILE NO. D:\CAD\SVP564\			
ERP LINK:	5114010038		

SPECTRA CONNECTRONICS LLP	
TITLE CIRCULAR MALE RECEPTACLE, M12	
PART NO. 7115-XM-12MM	REV. A1