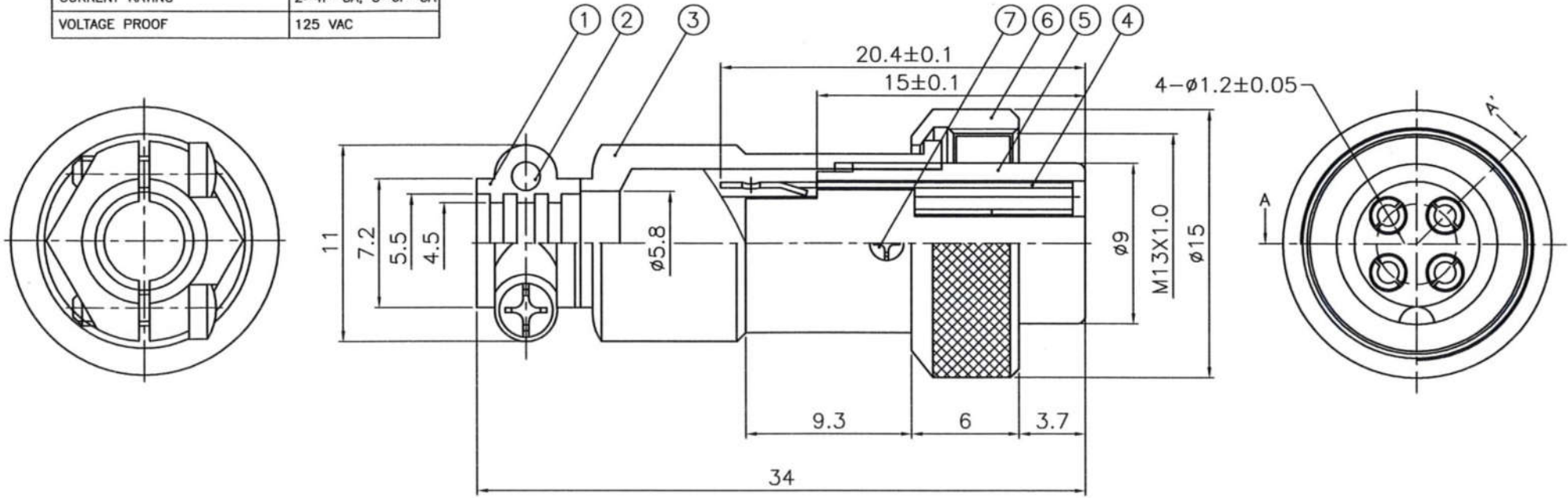
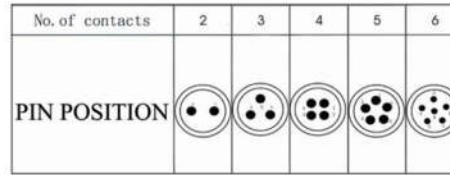


REVISIONS		
ISS	ZONE	DESCRIPTION\PER REQUEST\DATE
V	OPEN	
	CLOSED	

NO.OF CONTACTS	2P	3P	4P	5P	6P
RATED CURRENT/VOLTAGE	5A-125V	5A-125V	5A-125V	3A-125V	3A-125V
WORK VOLT (AC.V)	200	200	200	200	200
DIELECTRIC WITHSTANDING VOLTAG (AC.V/min)	1500	1500	1500	1500	1500
INSULATION RESISTANCE (M ohm)/500V	1500	1500	1500	1500	1500
CONTACT RESISTANCE (M ohm)/A	10	10	10	10	10

ELECTRICAL	
CONTACT RESISTANCE	10 mohms max.
INSULATOR RESISTANCE	1000 mohms min.
CURRENT RATING	2~4P-5A, 5~6P-3A
VOLTAGE PROOF	125 VAC



NO.	DESCRIPTION	MATERIAL	FINISH	Q'TY	DRAWING NO.
7	SCREW	A3	NICKEL	1	#1-40UNCX3.5mm
6	NUT	H59-1	NICKEL	1	
5	INSULATOR	BAKELITE	BLACK	1	
4	FEMALE PIN	BRONZE	SILVER	4	
3	HOUSING	ZZnAL14-1	NICKEL	1	
2	SCREW	A3	NICKEL	2	M2X0.4X8mm
1	CABLE CLAMP	ZZnAL14-1	NICKEL	1	

DIMENSIONS ARE IN MILLIMETERS

UNLESS OTHERWISE SPECIFIED TOLERANCES

ANGLES = $\pm 5^\circ$
 UP TO 6 = ± 0.2
 6-40 = ± 0.4
 40-120 = ± 0.6
 120-315 = ± 1
 ABOVE 315 = ± 1.6

THIRD_ANGLE

SCALE 3/1

APPROVED *Hank Awang* DATE 2011-08-04

CHECKED DATE 2011-08-04

DRAWN *Sandy Wa.* DATE 2011-08-04

FILE NO. D:\CAD\SVP\

ERP LINK: 1011400147

SPECTRA CONNECTRONICS LLP

TITLE CIRCULAR FEMALE PLUG, M12mm

PART NO. 7115-XF-12MM

REV. A2