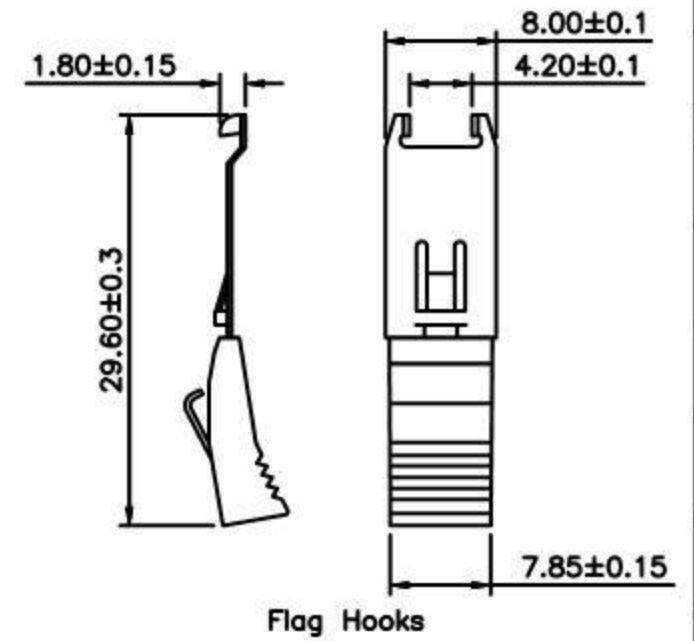
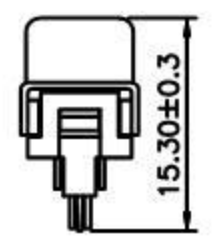
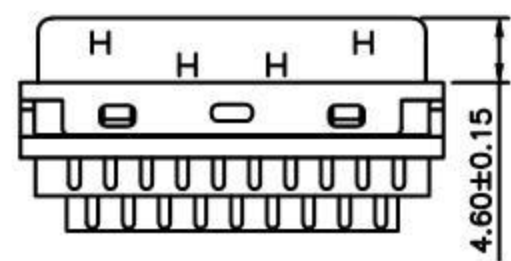
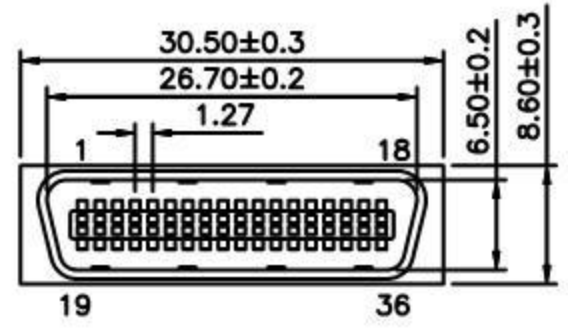
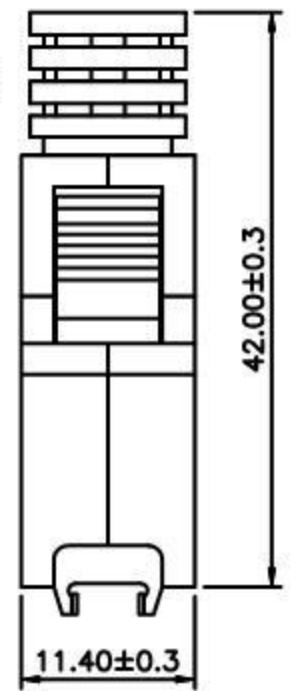
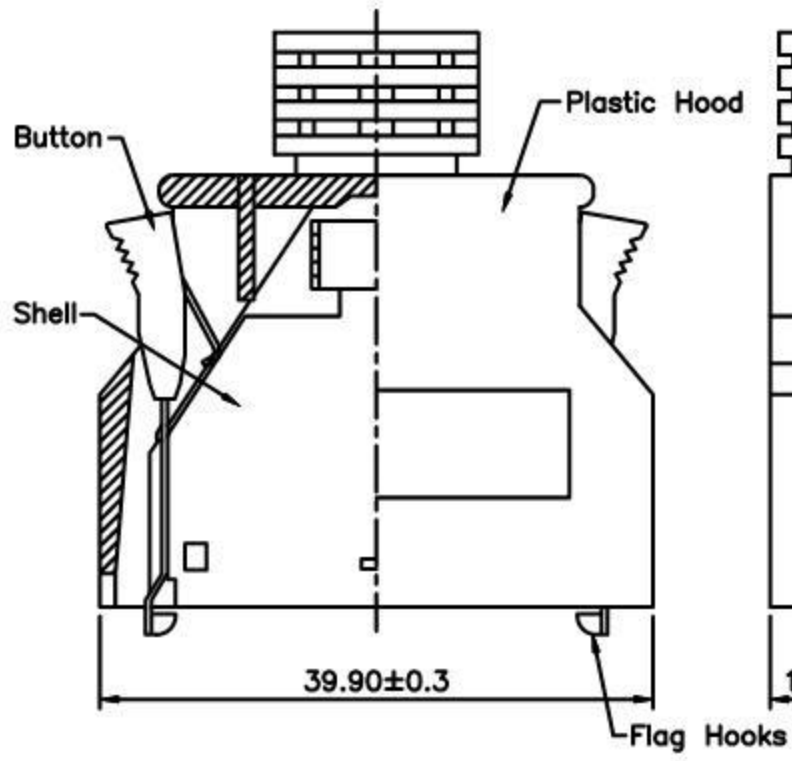


SPECIFICATION
 Current Rating:1 Amp
 Dielectric Withstanding Voltage:500V AC
 Contact Resistance:35 Milliohms Max.
 Insulation Resistance:>500 Megaohms Min.
 Operation Temperature:-55°C~+105°C
 Housing:PBT UL94V-0,Black
 Contacts:Phosphor Bronze,Selective Gold Plated
 Front Shell:Steel,Nickel Plated Over Copper
 Hood:ABS(UL94V-0)
 Latch Cover:ABS(UL94V-0)
 Latch:Stainless Steel
 Inner Shell:Steel,Nickel Plated Over Copper
 RoHS Compliant



Spectra Connectronics Pvt Ltd
 HOUSE OF CONNECTOR™

CATEGORY Centronics		APPROVED BY		UNLESS OTHERWISE SPECIFIED TOLERANCES ARE .X ±0.38 .XX ±0.25 ANG.					
PART No. 7035-C X MSD		CHECKED BY							
DRAWING No. 7035-C X MSD		DRAWING BY WZL							
SCALE	NONE	REV.	BO			UNIT mm	NO. REV.	BO	NEW RELEASE
						REVISIONS		CHK	DATE