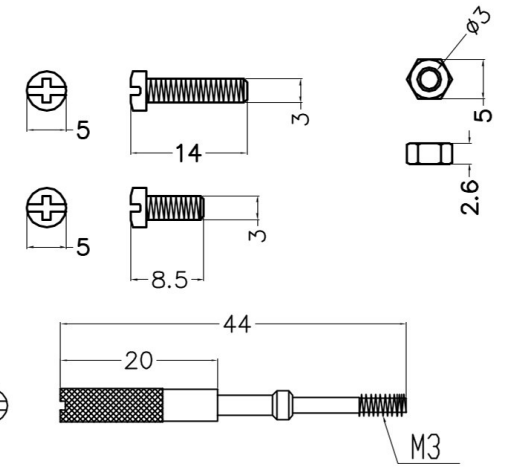
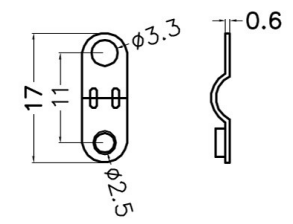
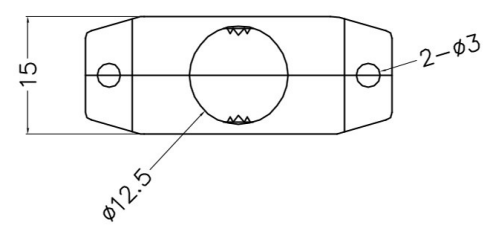
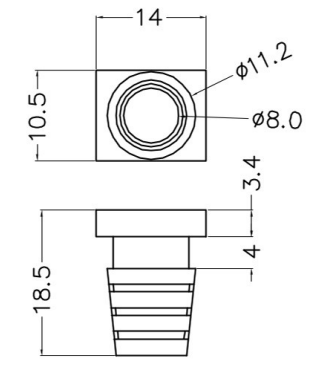
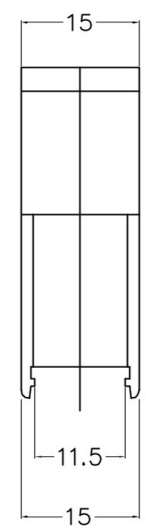
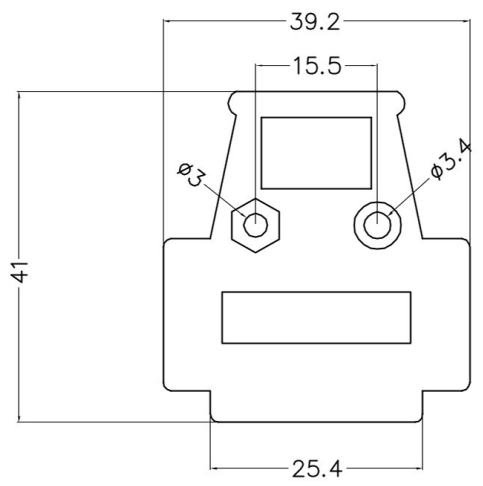


REV.	DESCRIPTION	DRAWN	CHECKED	APPROVED
A	NEW RELEASE	ZQJ 11/18/2015	~	ZQJ 11/18/2015
B	ADD P/N CODE	CJJ 11/18/2015	~	CJJ 11/18/2015



GENERAL TOLERANCE		ANGLE TOLERANCE		PROJECTION		TITLE	15 Pin Metal Dust Cover	
X.	±0.60	X.	±5°	UNITS	mm	SERIES	7031-15MT	
.X	±0.38	.X	±3°	SHEET SIZE	A4			
.XX	±0.25	.XX	±2°					

2	CONTACT	ED	DRAWING TYPE	CUSTOMER		
1	HOUSING		SCALE	1:1	SHEET	1 OF 1
ITEM	PART NAME		DRAWING NO.			



SPECTRA CONNECTRONICS LLP