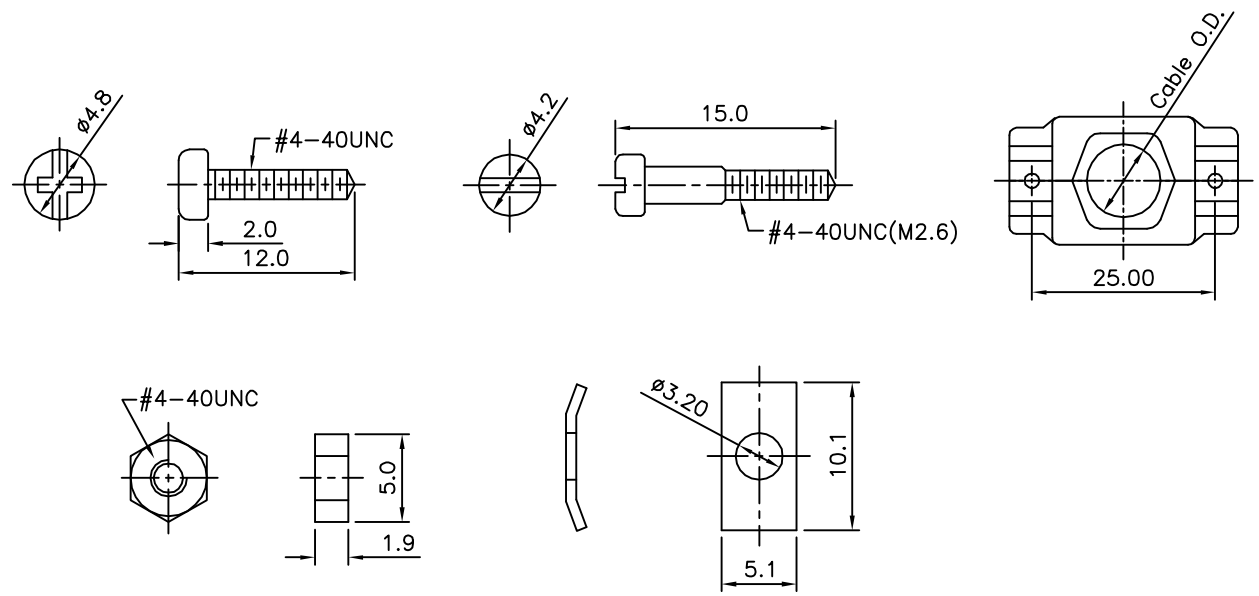
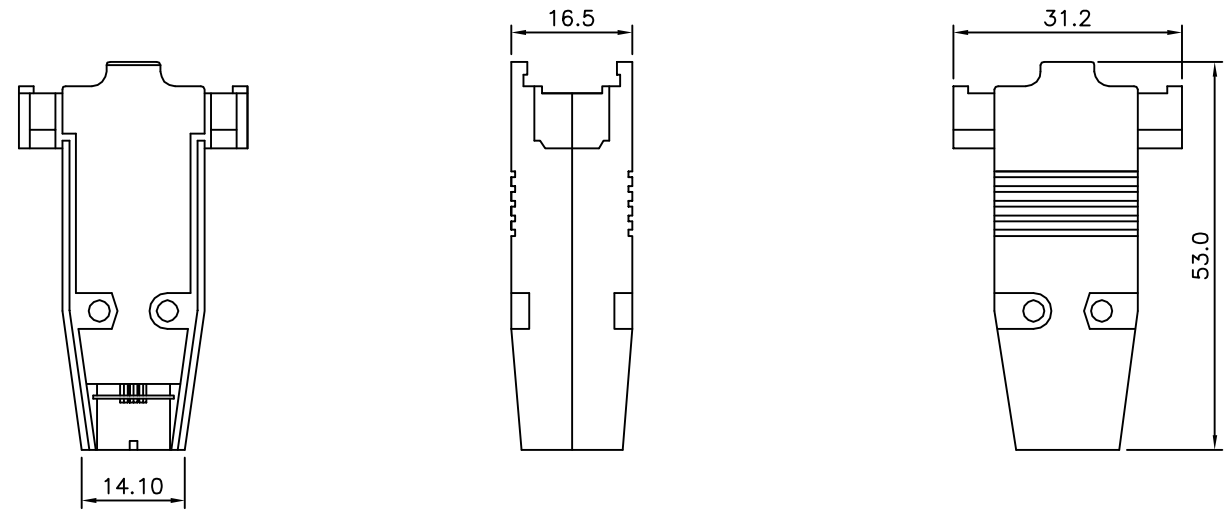


SPECIFICATION

Shell: Zinc Alloy, Chromate Plated
 Accessories(2 PCS/Set): Steel, Nickel Plated Over All
 RoHS Compliant

D10: O.D. = 10mm
 D11: O.D. = 11mm
 H: RoHS Compliant



CATEGORY		APPROVED BY		UNLESS OTHERWISE SPECIFIED TOLERANCES ARE X. ±0.5 .X ±0.3 .XX ±0.2 ANG. ±5°						
PART No. 7031-09MT		EMILY								
DRAWING No.		CHECKED BY								
SCALE		HZF								
NONE		DRAWING BY		SONG						
REV.		A0		UNIT	mm					
				NO. REV.		A0	NEW RELEASE	HZF	01/20/2011	
						REVISIONS		CHK	DATE	