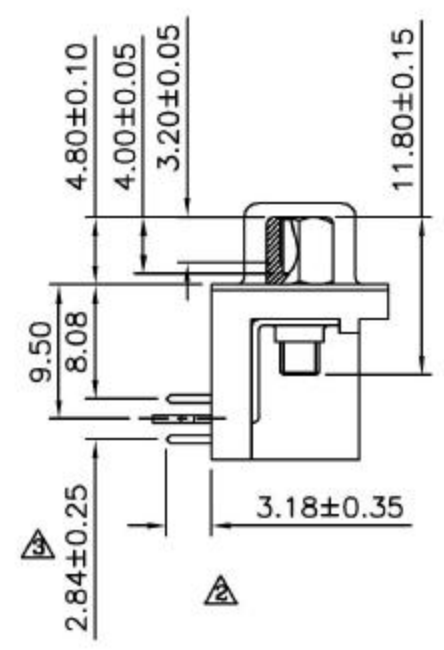
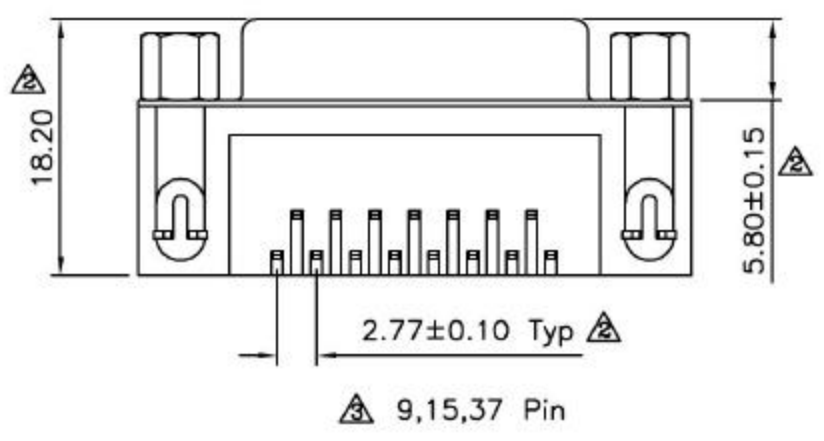
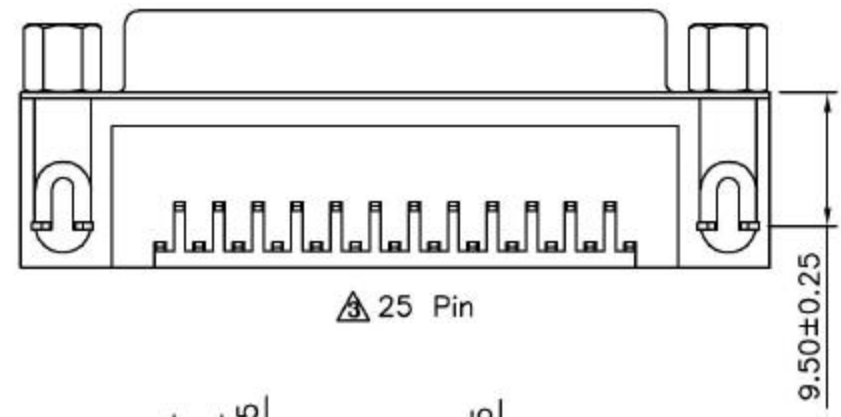
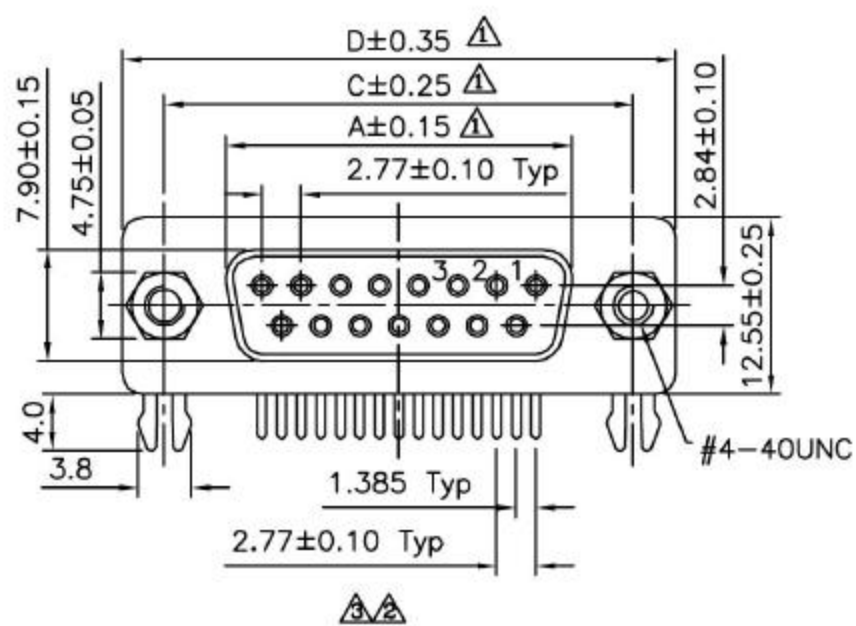


SPECIFICATION
 Current Rating: 5 Amps
 Withstanding Voltage: 1000V(One Minute)
 Contact Resistance: 20 Milliohms Max.
 Insulation Resistance: 1000 Megaohms Min.
 At 500V DC
 Operating Temperature: -50°C~+105°C
 Insulator: PBT+30%G.F.(UL94V-0)
 Shell: SPCC,Nickel Plated
 Contact: Brass
 Z Flake: SPCC,Tin Plated
 Screw: 12L14,Nickel Plated
 RoHS Compliant



Pin	A	C	D
09	16.33	24.99	30.81
15	24.80	33.32	39.20
25	38.38	47.04	53.04
37	54.84	63.50	69.40



CATEGORY		APPROVED BY		UNLESS OTHERWISE SPECIFIED TOLERANCES ARE		△ B3		07/11/2011
PART No. 70 08 XX		CHECKED BY		.X ±0.38 .X* ±3*		△ B2		04/30/2011
DRAWING No.		DRAWING BY		.XX ±0.25 .XX* ±1*		△ B1		05/04/2010
SCALE NONE		REV. B3		.XXX ±0.05 .XXX* ±0.5*		△ B0		04/23/2009
				UNIT mm		△ B0		04/23/2009
				NO.REV.				DATE