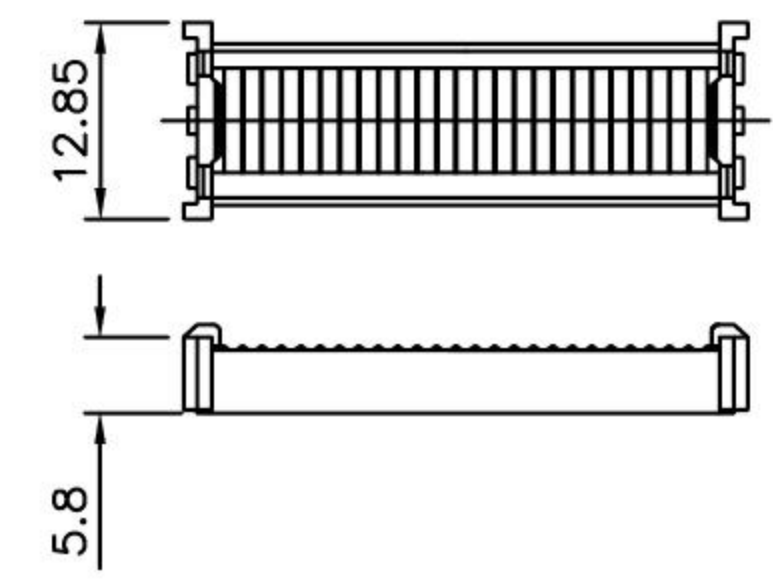
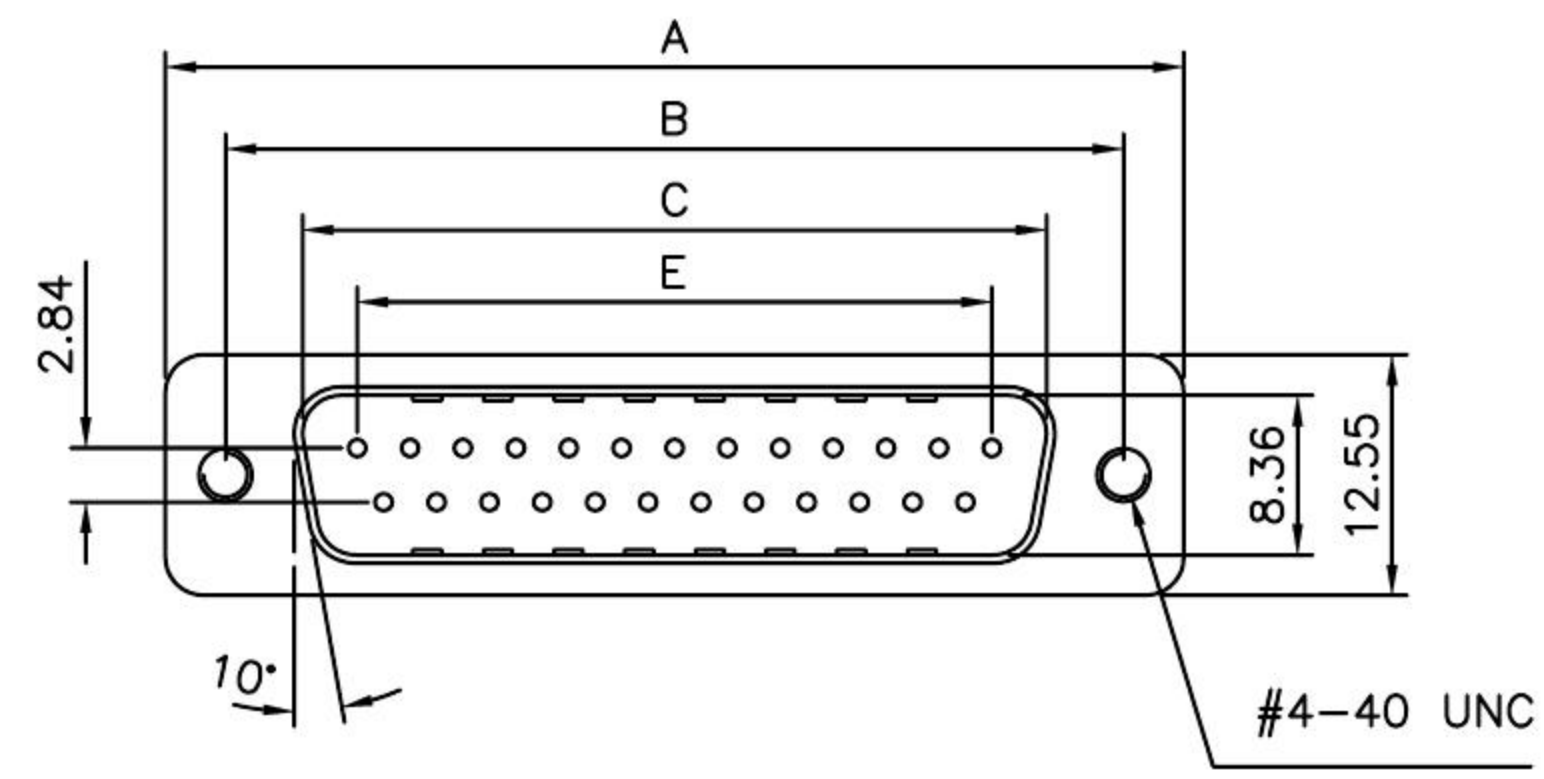
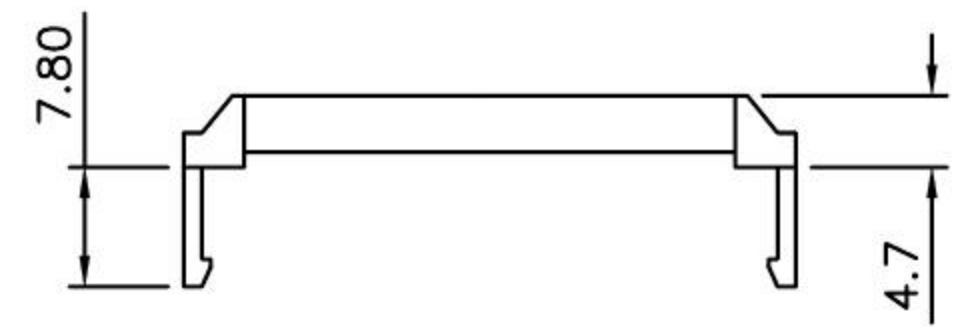
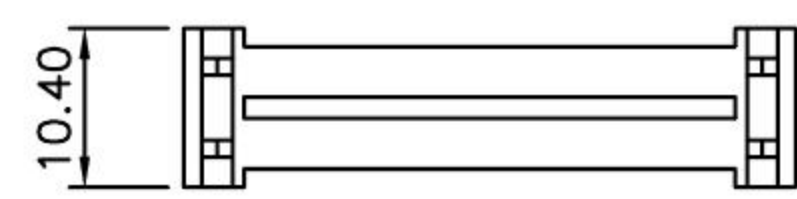


SPECIFICATION

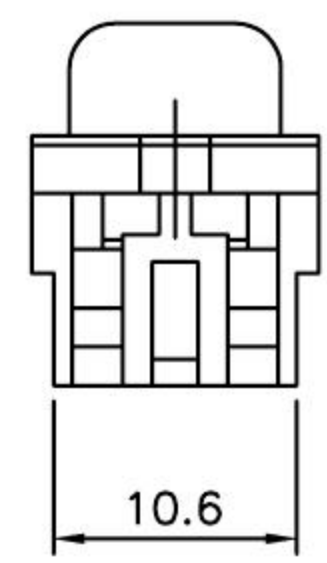
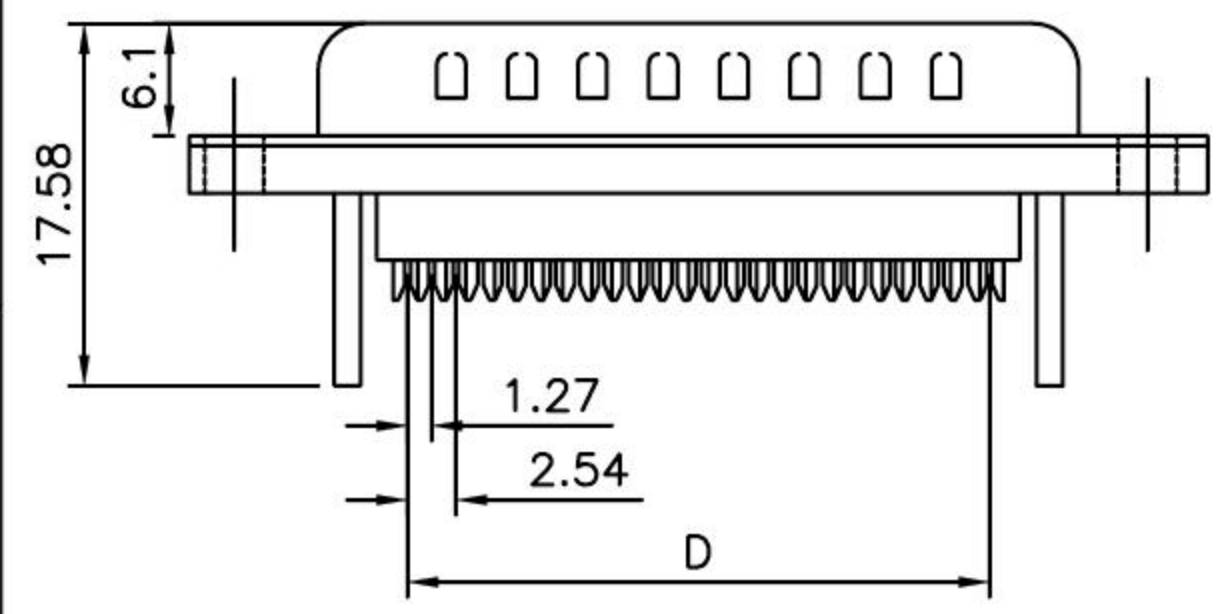
Current Rating:3 Amp
 Voltage Rating:250V AC/Rms 60Hz
 Dielectric Withstanding Voltage:
 1000V AC/Rms 60Hz For 1 Minute
 Contact Resistance:20 Milliohms Max At 1Amp DC
 Insulator Resistance:1000Megohms At 500V DC
 Contact:Brass
 Housing:Glass-Filled Thermoplastic PBT, UL 94V-0
 Shell:Steel,Tin Over Copper
 Clinch Nut:Brass,Nickel Plated
 RoHS Compliant



Cover



Strain Relief



Pin	A	B	C	D	E
9	30.81	24.99	16.92	10.16	11.08
15	39.20	33.30	25.25	17.78	19.39
25	53.05	47.04	38.96	30.48	33.24
37	69.40	63.50	55.42	45.72	49.86

Spectra Connectronics Pvt. Ltd.
 HOUSE OF CONNECTORS™

CATEGORY	D-Sub IDC	APPROVED BY	UNLESS OTHERWISE SPECIFIED TOLERANCES ARE X. ±0.38 X.* ±3° .X ±0.25 .X* ±1.0° .XX ±0.13
PART No.	7005-XX	CHECKED BY	
DRAWING No.	7005-XX	DRAWING BY	
SCALE	NONE	REV.	
UNIT	mm		

NO.	REV.	DESCRIPTION	CHK	DATE
△	B0	NEW RELEASE	HZF	11/18/2008
		REVISIONS	CHK	DATE