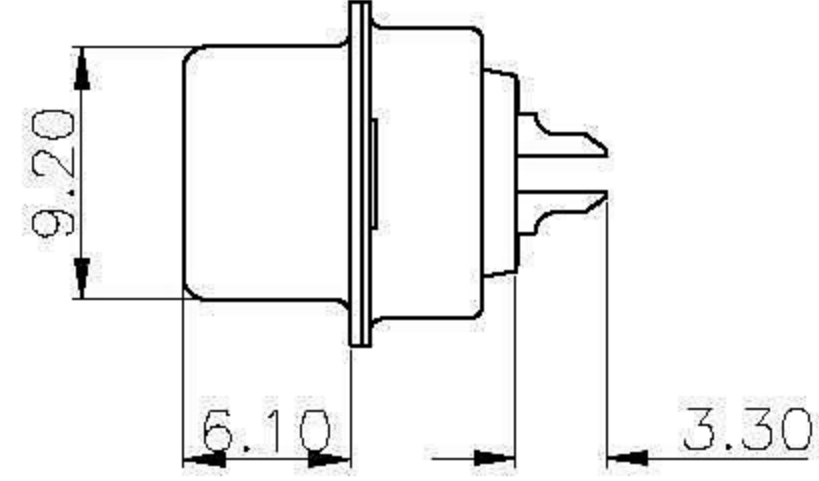
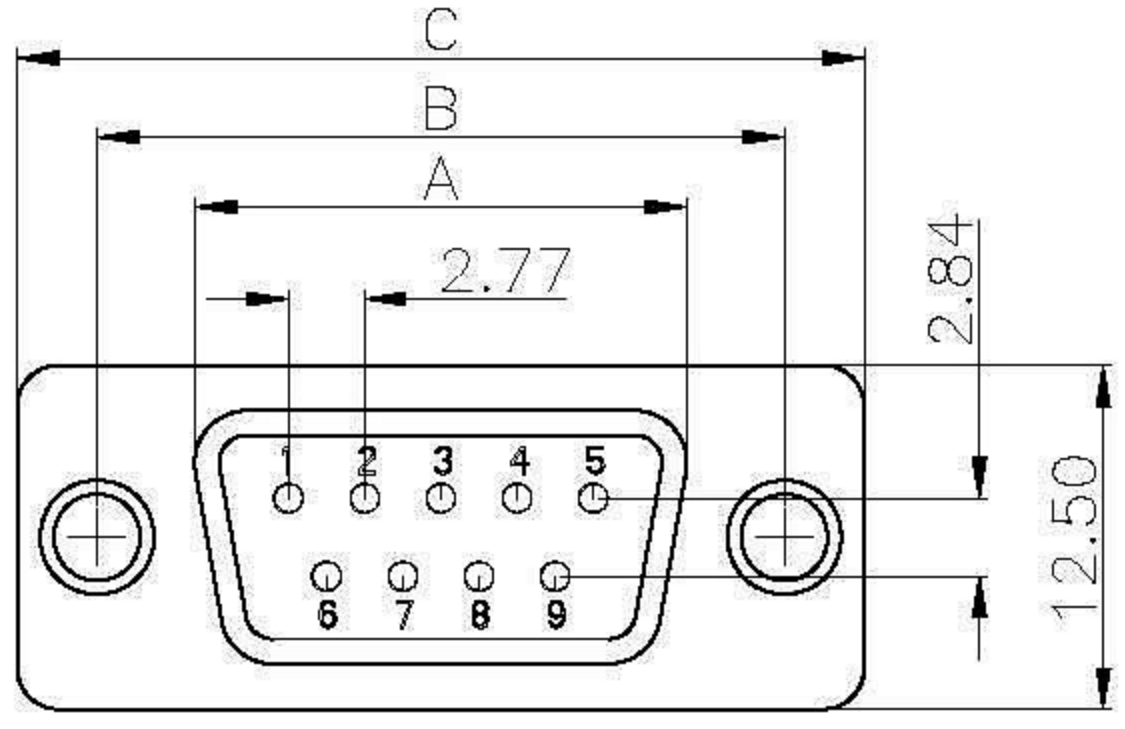


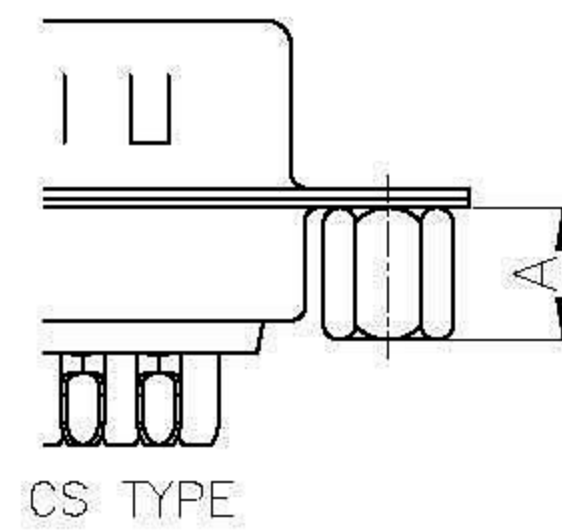
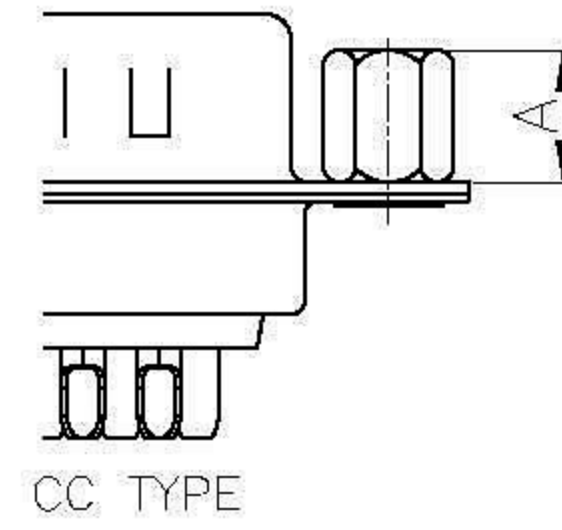
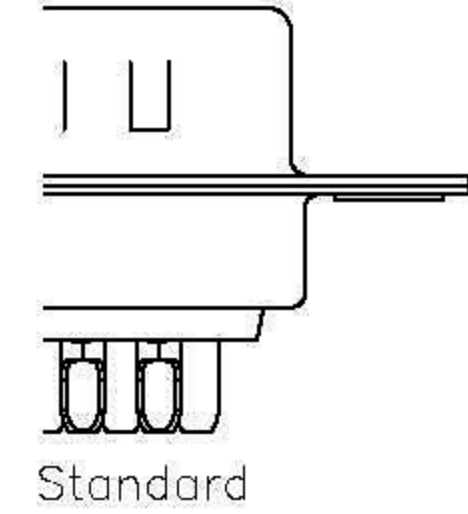
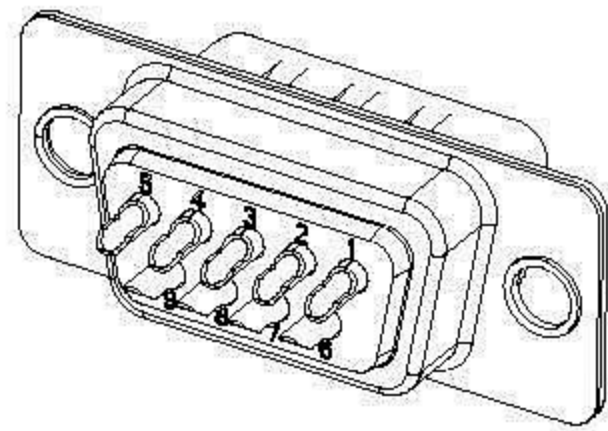
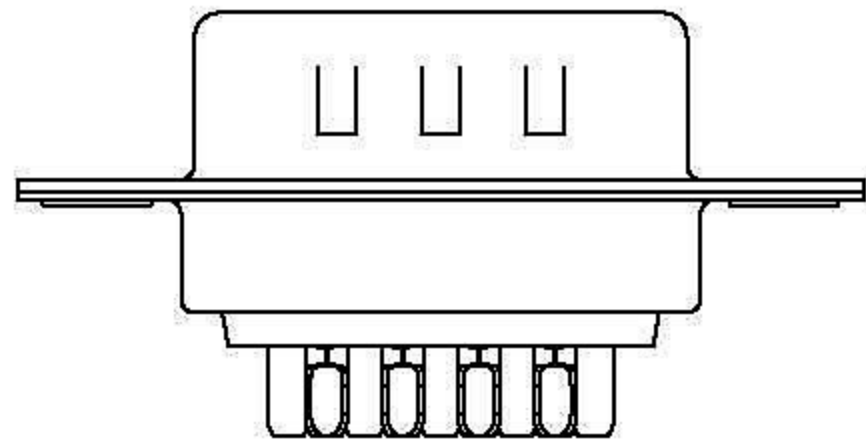
REV.	DESCRIPTION	DRAWN	CHECKED	APPROVED
A	NEW RELEASE	YCH 08/27/10'	~	



- NOTES:
- ELECTRICAL CHARACTERISTICS:
 - CONTACT RESISTANCE: 20mΩ Max. INITIAL.
 - DIELECTRIC WITHSTANDING VOLTAGE: 500V AC(rms) FOR 1 MINUTE.
 - INSULATION RESISTANCE: 1000MΩ Min.
 - ENVIRONMENT CHARACTERISTICS:
 - OPERATING TEMPERATURE: 0°C~+85°C.
 - STORAGE TEMPERATURE: -20°C~+70°C.
 - PRODUCT NUMBER CODE:

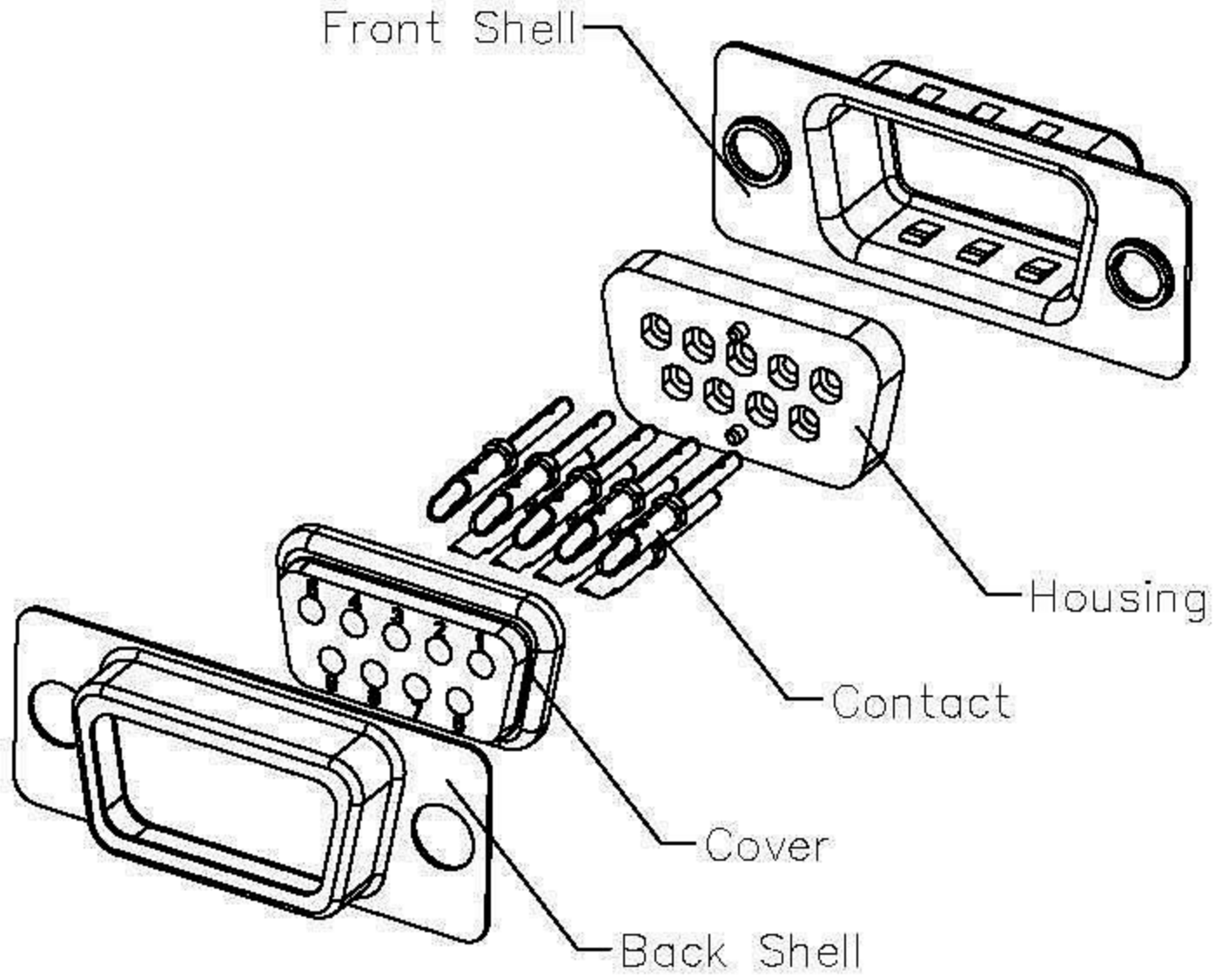
7001-09 - X X X X X

 - SCREW DIM. A
 - S: Standard(W/O nut)
 - 1: 5.00
 - 2: 3.00
 - 3: 5.20
 - 4: 4.80
 - 5: 5.80
 - 6: 4.00
 - SCREW TYPE
 - S: Standard(W/O nut)
 - 1: CC TYPE
 - 2: CS TYPE
 - CONTACT PLATING
 - 8: FULL GOLD FLASH
 - 0: SELECTIVE GOLD FLASH
 - 6: FULL TIN
 - J: SELECTIVE 5u" GOLD
 - SHELL PLATING
 - T: FRONT & BACK SHELL Tin
 - N: FRONT SHELL Nickel, BACK SHELL Tin
 - HOUSING COLOR
 - B: BLACK
 - W: WHITE
 - U: BLUE
 - No.OF CONTACTS
 - 09: 9pos.
 - 15: 15pos.
 - 25: 25pos.
 - 37: 37pos.
 - CONNECTOR TYPE
 - 01: MALE
 - 02: FEMALE



Dimension

Position	A±0.2	B±0.2	C±0.3
9	17.90	24.99	30.80
15	26.50	33.32	39.14
25	40.00	47.04	53.04
37	56.50	63.50	69.32



GENERAL TOLERANCE		ANGLE TOLERANCE		PROJECTION	TITLE
X.	±0.60	X.	±5°		D-SUB MALE SOLDER TYPE
.X	±0.38	.X	±3°	mm	2 INSULATOR TYPE
.XX	±0.25	.XX	±2°	A4	SHEET SIZE
DRAWING TYPE		CUSTOMER		SERIES	7001-XX
SCALE		1:1	SHEET	1 OF 1	
DRAWING NO.		C-DS1033-10-XXXXXXX-A			

