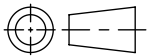
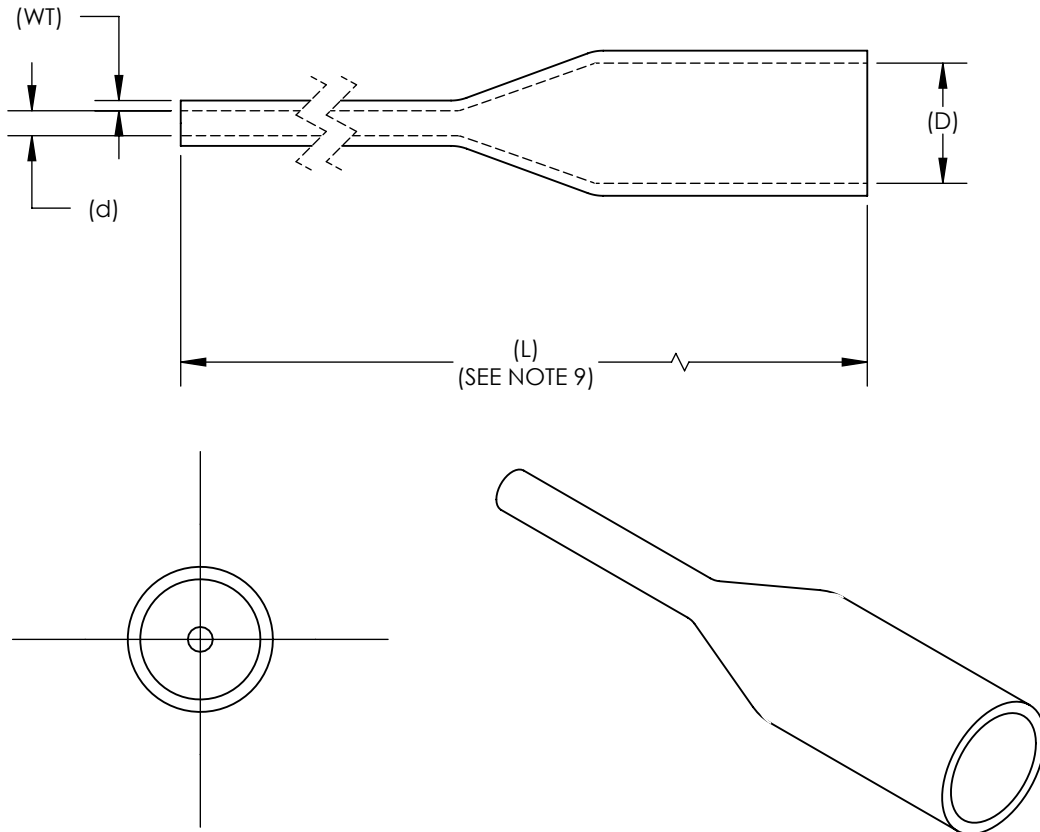


SW2015



Revision level			Revision Record	Changed	Date	Approved	Date
Drawing	State	Part					
00.0	Design Release		SEE ECN# 013647	GRW	12/9/2016	KAC	12/9/2016



Type	Shrink Ratio	Nominal Trade Size	Supplied Diameter (D)		Recovered Diameter (d)		Wall Thickness Recovered (WT)		Color
		in	in	mm	in	mm	in	mm	
Mini Reels: 2:1 Thin Wall									
TFN21 1.6/0.8 CL	2:1	1/16	0.063	1.6	0.032	0.8	0.016	0.40	Clear
TFN21 1.6/0.8 BK	2:1	1/16	0.063	1.6	0.032	0.8	0.016	0.40	Black
TFN21 2.4/1.2 CL	2:1	3/32	0.094	2.4	0.047	1.2	0.019	0.48	Clear
TFN21 2.4/1.2 CL	2:1	3/32	0.094	2.4	0.047	1.2	0.019	0.48	Black
TFN21 3.2/1.6 CL	2:1	1/8	0.125	3.2	0.063	1.6	0.019	0.48	Clear
TFN21 3.2/1.6 RD	2:1	1/8	0.125	3.2	0.063	1.6	0.019	0.48	Red
TFN21 3.2/1.6 BU	2:1	1/8	0.125	3.2	0.063	1.6	0.019	0.48	Blue
TFN21 4.8/2.4 CL	2:1	3/16	0.188	4.8	0.094	2.4	0.019	0.48	Clear
TFN21 4.8/2.4 RD	2:1	3/16	0.188	4.8	0.094	2.4	0.019	0.48	Red
TFN21 4.8/2.4 BU	2:1	3/16	0.188	4.8	0.094	2.4	0.019	0.48	Blue
TFN21 6.4/3.2 CL	2:1	1/4	0.25	6.4	0.125	3.2	0.022	0.56	Clear
TFN21 6.4/3.2 RD	2:1	1/4	0.25	6.4	0.125	3.2	0.022	0.56	Red
TFN21 6.4/3.2 BU	2:1	1/4	0.25	6.4	0.125	3.2	0.022	0.56	Blue
TFN21 9.5/4.8 CL	2:1	3/8	0.375	9.5	0.188	4.8	0.024	0.62	Clear
TFN21 9.5/4.8 RD	2:1	3/8	0.375	9.5	0.188	4.8	0.024	0.62	Red
TFN21 9.5/4.8 BU	2:1	3/8	0.375	9.5	0.188	4.8	0.024	0.62	Blue
TFN21 12.7/6.4 CL	2:1	1/2	0.5	12.7	0.25	6.4	0.024	0.62	Clear
TFN21 12.7/6.4 RD	2:1	1/2	0.5	12.7	0.25	6.4	0.024	0.62	Red
TFN21 12.7/6.4 BU	2:1	1/2	0.5	12.7	0.25	6.4	0.024	0.62	Blue
TFN21 19.1/9.5 CL	2:1	3/4	0.75	19.1	0.38	9.5	0.027	0.68	Clear
TFN21 19.1/9.5 RD	2:1	3/4	0.75	19.1	0.38	9.5	0.027	0.68	Red
TFN21 19.1/9.5 BU	2:1	3/4	0.75	19.1	0.38	9.5	0.027	0.68	Blue
TFN21 25.4/12.7 CL	2:1	1	1	25.4	0.5	12.7	0.034	0.87	Clear
TFN21 25.4/12.7 RD	2:1	1	1	25.4	0.5	12.7	0.034	0.87	Red
TFN21 25.4/12.7 BU	2:1	1	1	25.4	0.5	12.7	0.034	0.87	Blue
Bulk Reels: 2:1 Thin Wall									
TFN21 3.2/1.6 BK	2:1	1/8	0.125	3.2	0.063	1.6	0.019	0.48	Black
TFN21 4.8/2.4 BK	2:1	3/16	0.188	4.8	0.094	2.4	0.019	0.48	Black
TFN21 6.4/3.2 BK	2:1	1/4	0.25	6.4	0.125	3.2	0.022	0.56	Black
TFN21 9.5/4.8 BK	2:1	3/8	0.375	9.5	0.188	4.8	0.024	0.62	Black
TFN21 12.7/6.4 BK	2:1	1/2	0.5	12.7	0.25	6.4	0.024	0.62	Black
TFN21 19.1/9.5 BK	2:1	3/4	0.75	19.1	0.38	9.5	0.027	0.68	Black
TFN21 25.4/12.7 BK	2:1	1	1	25.4	0.5	12.7	0.034	0.87	Black
TFN21 38.1/19.1 BK	2:1	1-1/2	1.5	38.1	0.75	19.1	0.039	1.00	Black
4 Foot Sticks: 2:1 Thin Wall									
TFN21-ST 2.4/1.2 BK	2:1	3/32	0.094	2.4	0.047	1.2	0.019	0.48	Black
TFN21-ST 3.2/1.6 BK	2:1	1/8	0.125	3.2	0.063	1.6	0.019	0.48	Black
TFN21-ST 4.8/2.4 BK	2:1	3/16	0.188	4.8	0.094	2.4	0.019	0.48	Black
TFN21-ST 6.4/3.2 BK	2:1	1/4	0.250	6.4	0.125	3.2	0.022	0.56	Black
TFN21-ST 9.5/4.8 BK	2:1	3/8	0.375	9.5	0.188	4.8	0.024	0.62	Black
TFN21-ST 12.7/6.4 BK	2:1	1/2	0.500	12.7	0.250	6.4	0.024	0.62	Black
TFN21-ST 19.1/9.5 BK	2:1	3/4	0.750	19.1	0.375	9.5	0.027	0.68	Black
TFN21-ST 25.4/12.7 BK	2:1	1	1.000	25.4	0.500	12.7	0.034	0.87	Black

- NOTES:**
- SHRINK RATIO 2:1
 - LONGITUDINAL CHANGE AFTER SHRINKAGE ± 5%
 - MINIMUM SHRINK TEMPERATURE 212° F (100° C)
 - OPERATING TEMPERATURES -67° F TO 275° F (-55° C TO 135° C)
 - DIELECTRIC STRENGTH >20KV/MM ACCORDING TO ASTM D 150
 - RoHS
 - FLAMMABILITY UL224 600V VW-1 (EXCEPT CLEAR)
 - MEETS SAE-AMS-DTL-23053/5 CLASS 1 & 3
 - CONSULT FACTORY OR WEBSITE FOR AVAILABLE LENGTHS

Material
POLYOLEFIN, CROSS LINKED

Units: **inches**
 Dimension without tolerances details to:
 .xxxx = ± .0005
 .xxx = ± .005
 .xx = ± .01
 .x = ± .03
 None = ± .06
 ∠ = ± 0.5°
 Dimension Formatted in [mm]

The copyright of this drawing is reserved by HellermannTyton. It is issued on condition that it is not reproduced, copied, or disclosed to a third party, either wholly or in part, without the consent of HellermannTyton.

Drawn: GRW, 12/9/2016
 Approved: KAC, 12/9/2016

HellermannTyton
 North America
 Email: corp@htamericas.com
 Web: www.hellermann.tyton.com

Article/Type-No: **TFN21 SERIES**
 Title: **HEAT SHRINK TUBING, 2:1 SHRINK RATIO, NON-ADHESIVE THIN WALL**
 Drawing-No: **16-1991-001-CSU**
 Scale: Project Number **PRP 16-1991**
 Format: **AH**
 Sheet: **1/1**