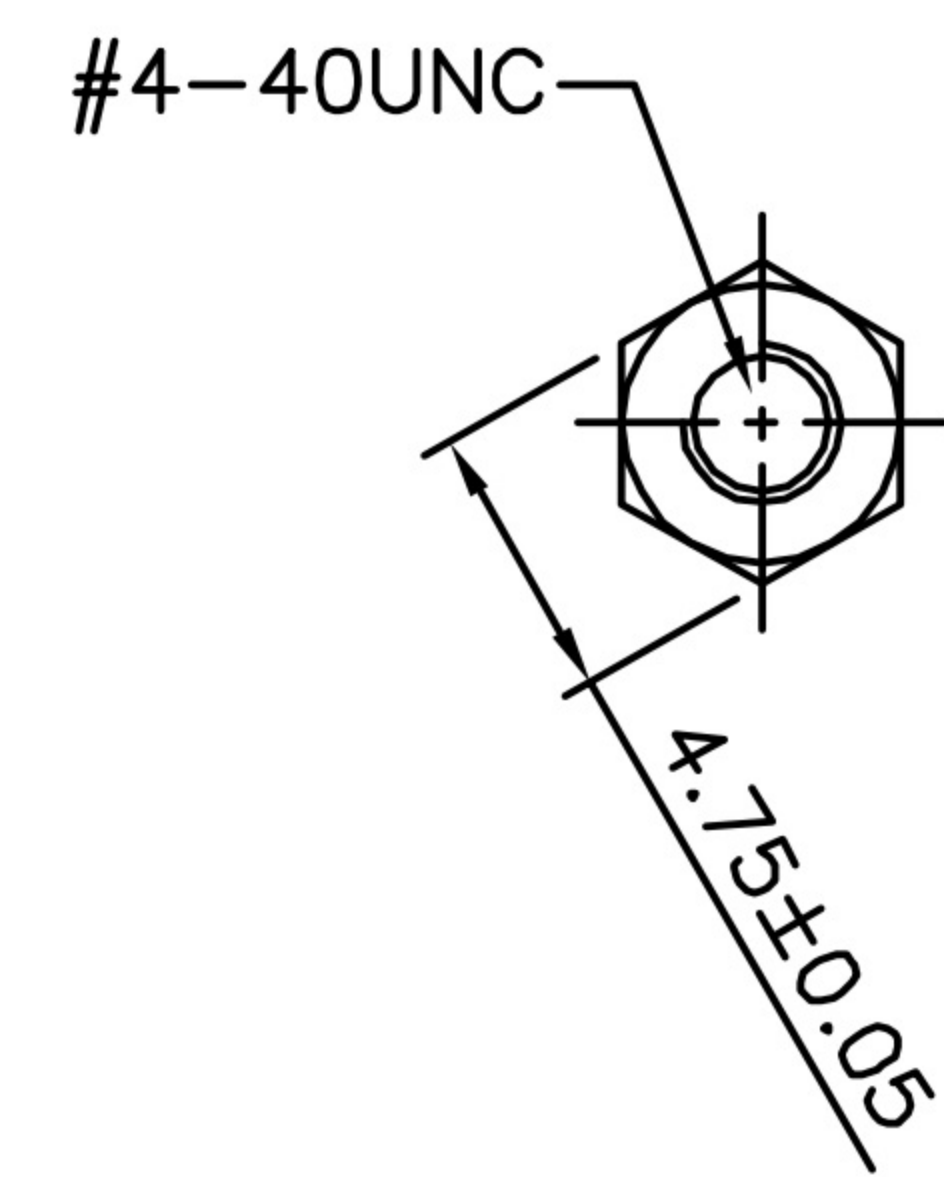
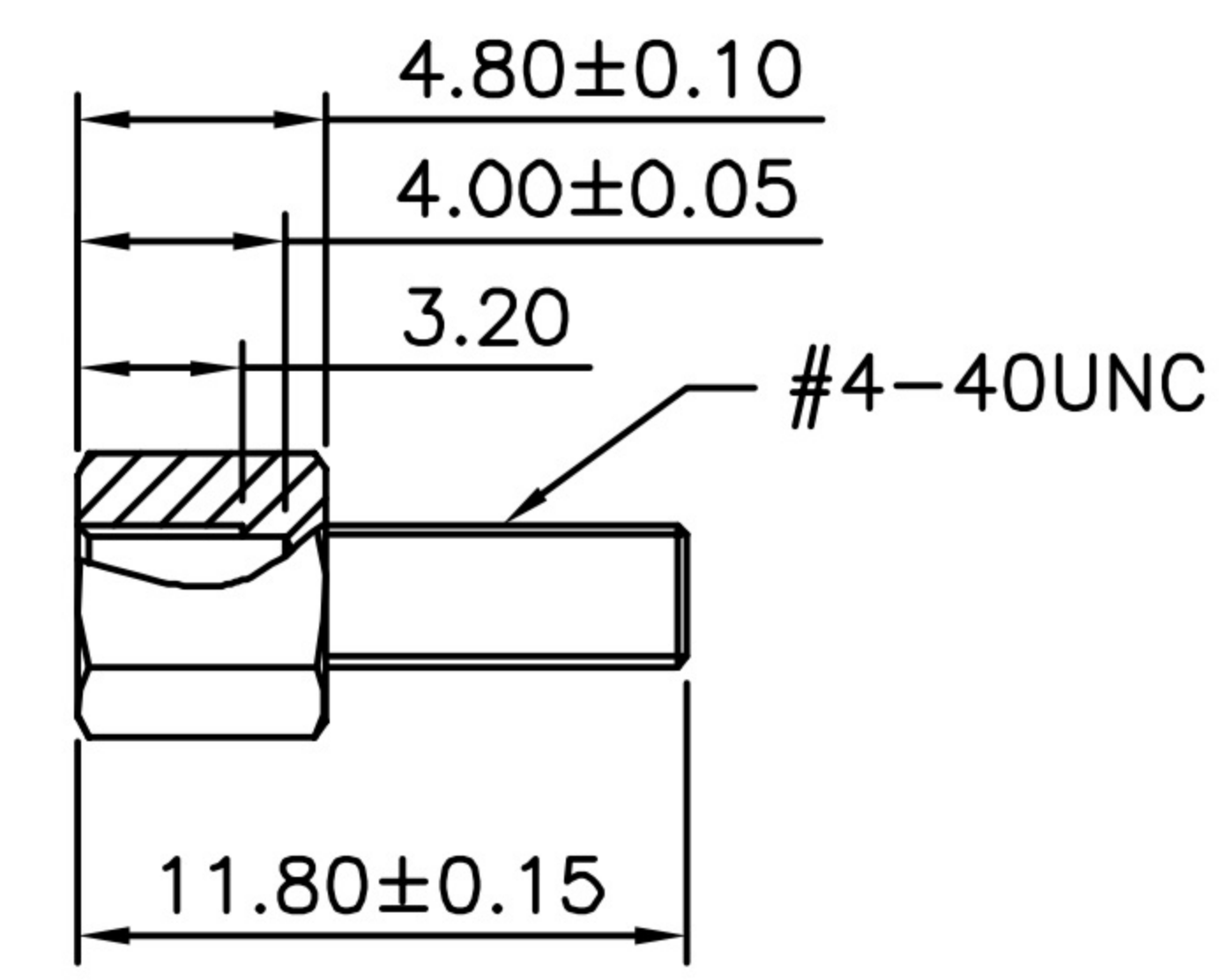


Recommended P.C.B. Layout

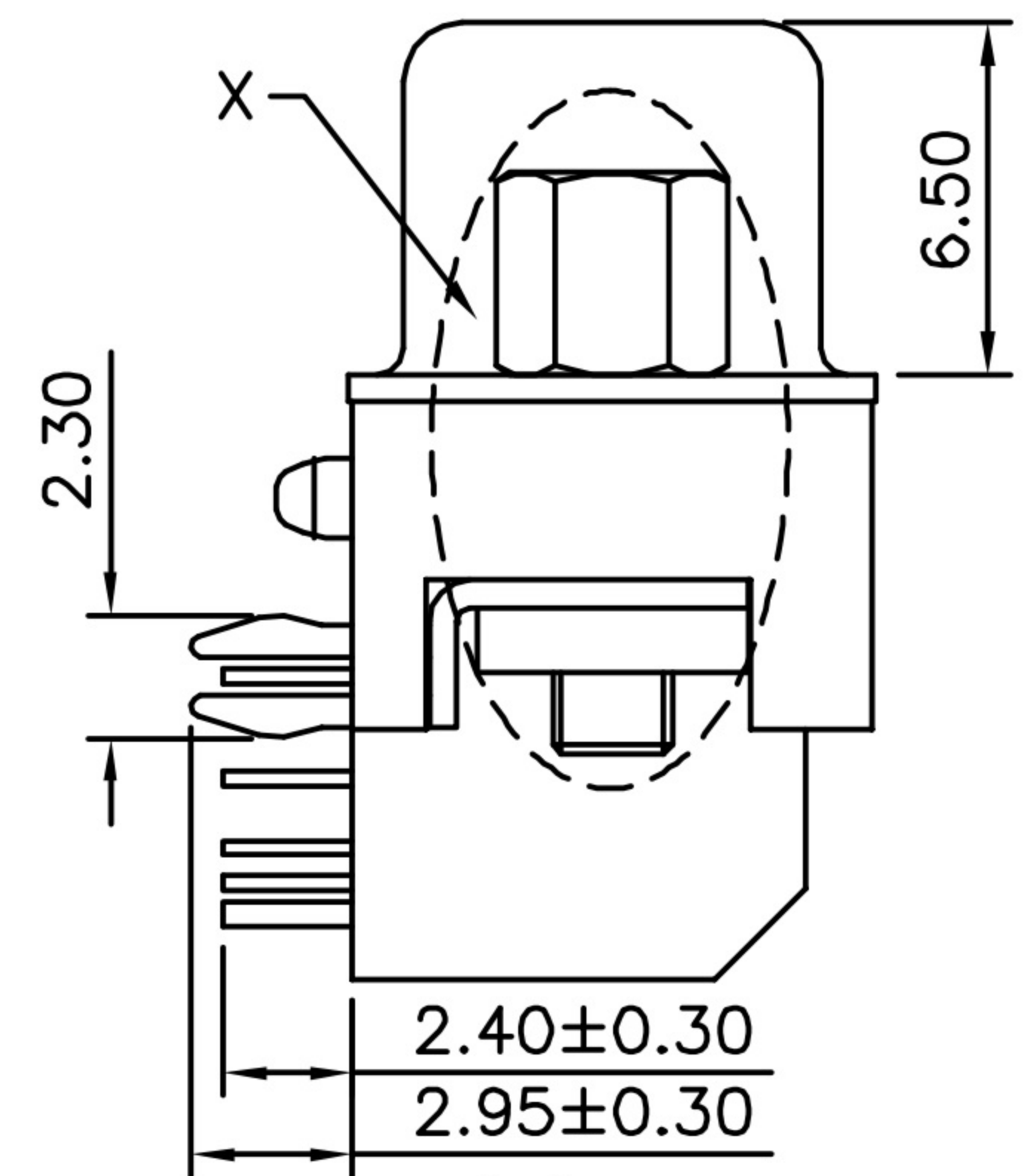
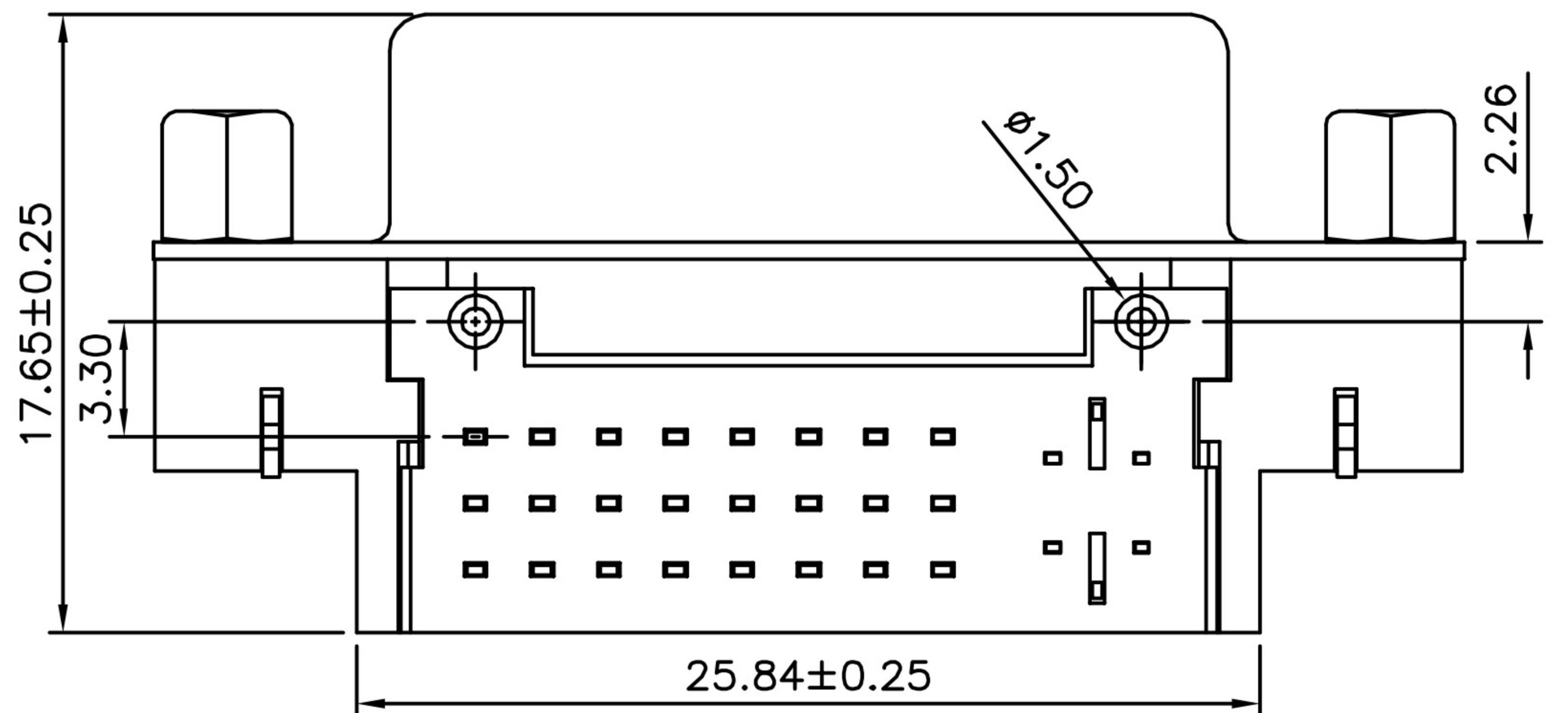
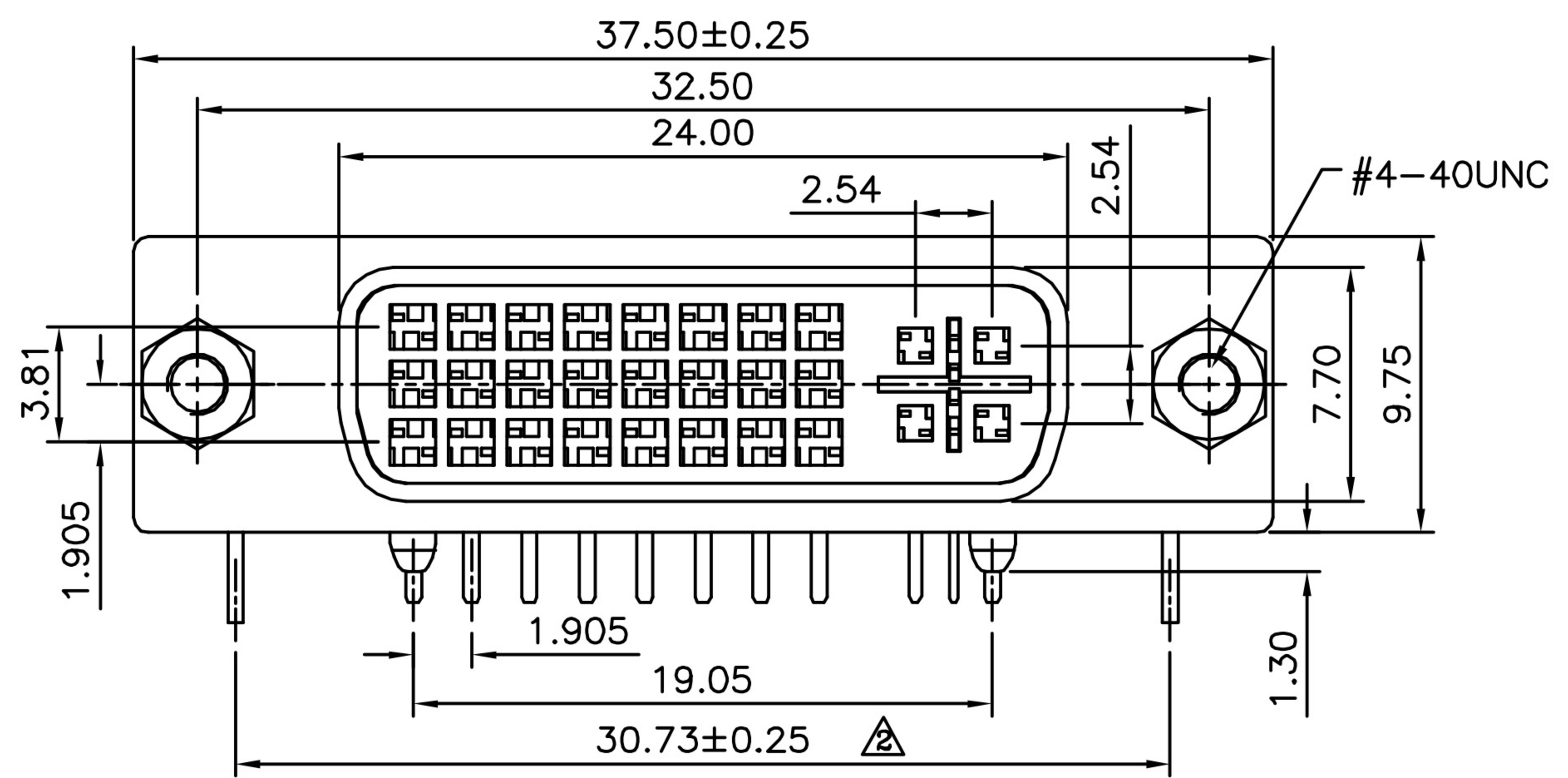


Detail X



SPECIFICATION

Dielectric Withstanding Voltage:500V AC
 Contact Resistance:30 Milliohms Max.
 Insulation Resistance:1000 Megaohms Min.
 At 500V DC
 Operation Temperature:-20°C~+85°C
 Housing:PBT+30%G.F.(UL94V-0),White
 Cover:PA66+30%G.F.(UL94V-0),White
 Contact:Brass,Gold Flash On Contact Area,Tin
 Plated On Solder Tails,Over Nickel
 Z Flake:SPCC,Tin Plated
 Shell:SPCC,Nickel Plated Over Copper
 Rivet:Copper Alloy,Nickel Plated
 Screw:12L14,Nickel Plated
 RoHS Compliant



CATEGORY DVI Female RT/A		APPROVED BY		UNLESS OTHERWISE SPECIFIED TOLERANCES ARE .X ±0.25 .X* ±3" .XX ±0.15 .XX* ±1" .XXX ±0.05 .XXX* ±0.5"	⚠ A4	Modify Data	HZF	09/05/2012
PART No. 2142-29FRT		CHECKED BY			⚠ A3		HZF	08/07/2012
DRAWING No.		DRAWING BY			⚠ A2		HZF	03/04/2010
SCALE NONE		REV. A4			⚠ A1		HZF	07/18/2009
				⚠ A0		HZF	06/08/2008	
				NO. REV.	REVISIONS	CHK	DATE	