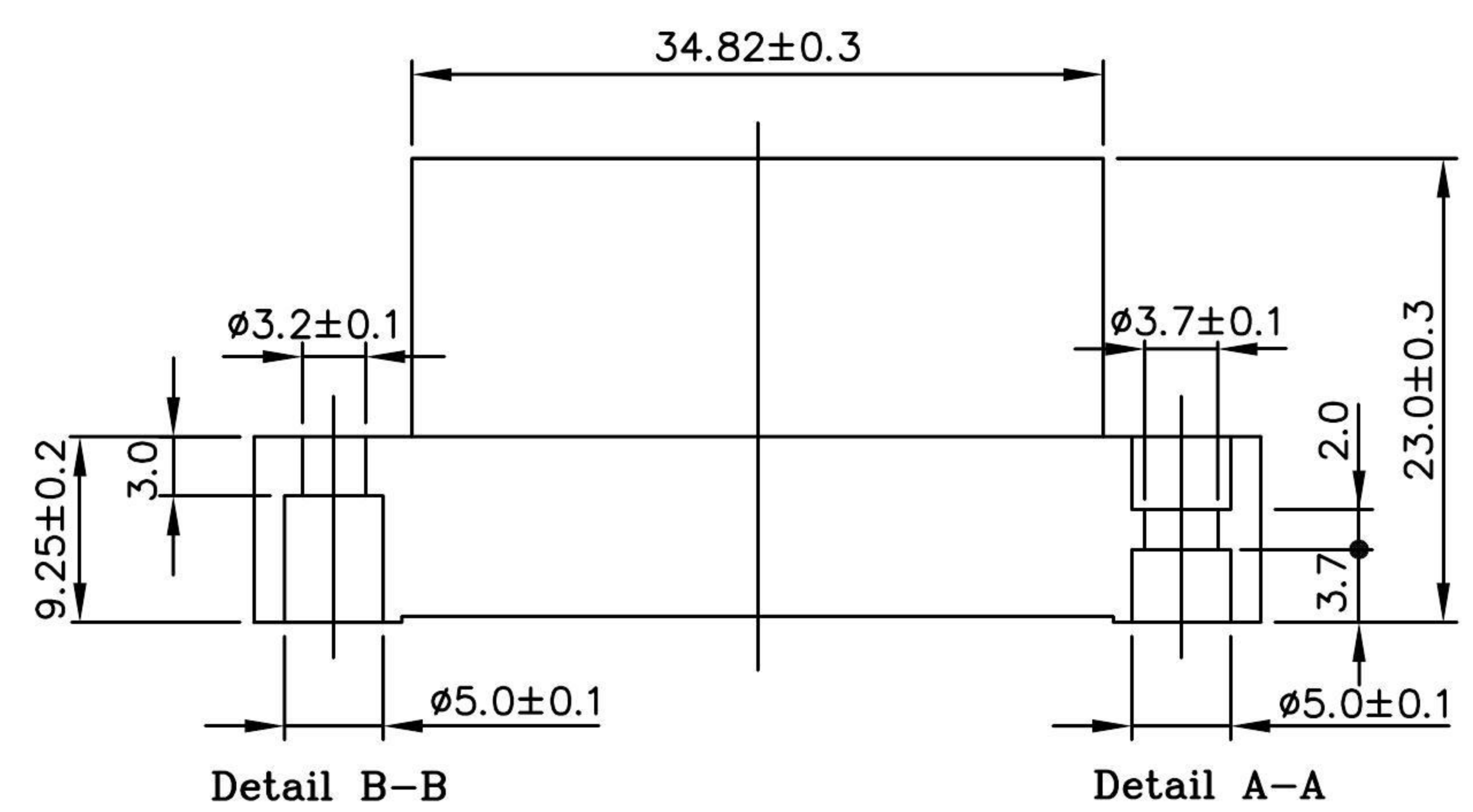
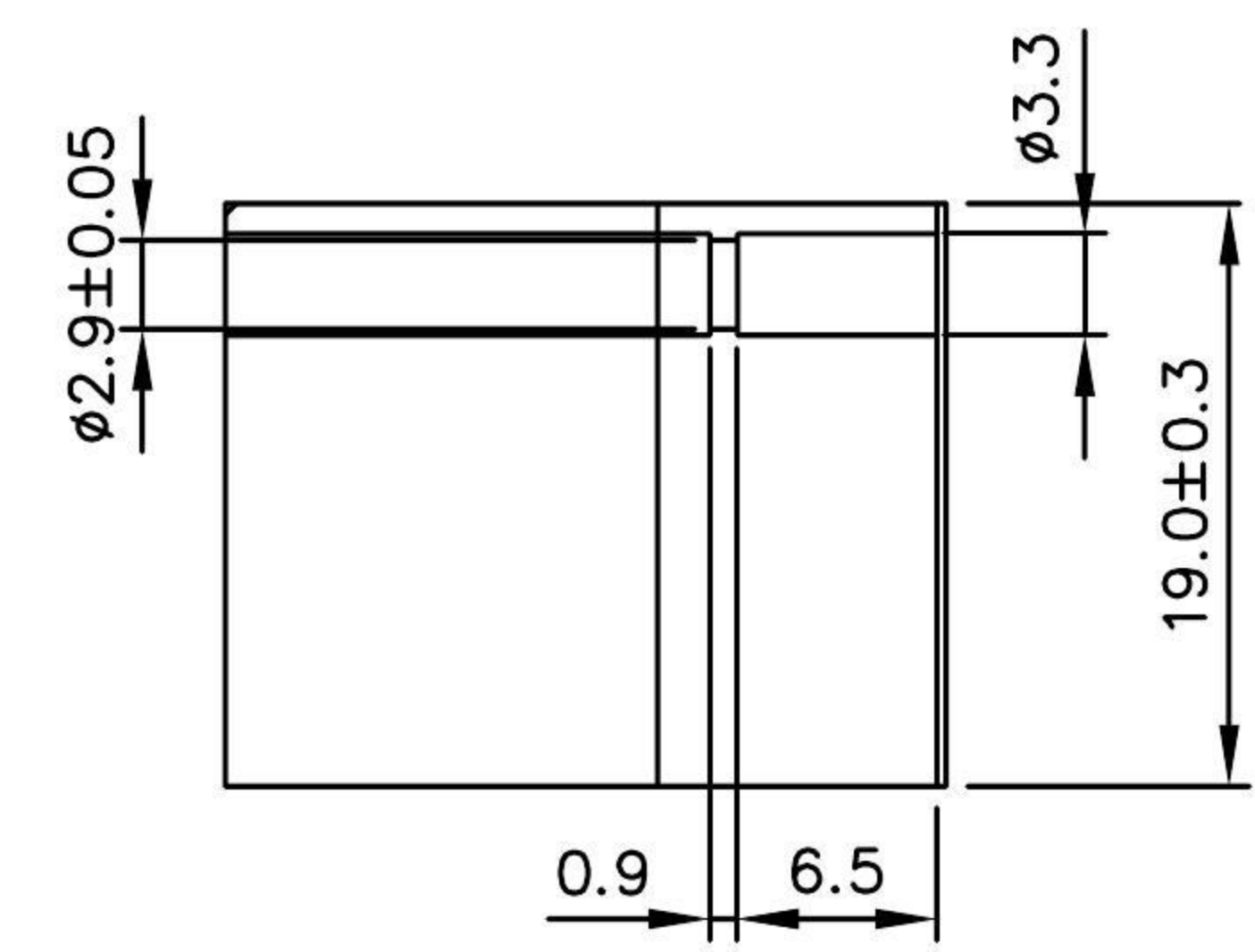
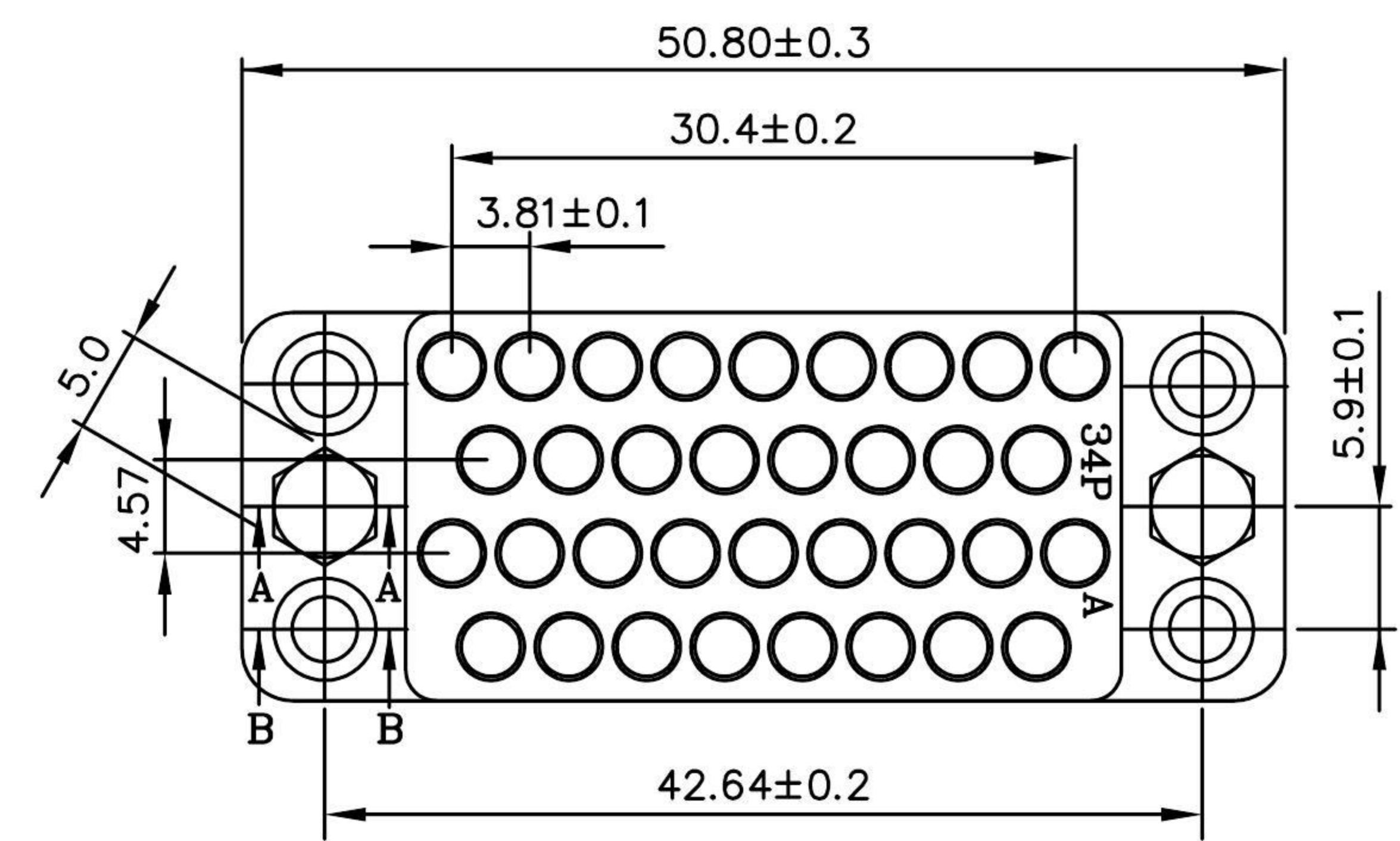


SPECIFICATIONS
 Current Rating: 7 Amp
 Insulation Resistance: 1000 Megohms Min.
 Withstanding Voltage: 1200V AC/Min
 Contact Resistance: 10 Milliohms Max.
 Temperature Range: -55°C ~ +105°C
 Housing And Cover: Plactic Thermoplastic
 P.B.T UL94V-0 Black



CATEGORY		APPROVED BY		UNLESS OTHERWISE SPECIFIED TOLERANCES ARE .X ±0.2 .XX ±0.10 .XXX
V.35				
PART No. 2125-F		CHECKED BY		
DRAWING No.		DRAWING BY		
SCALE	NONE	REV.	A1	UNIT mm

NO.	REV.	REVISIONS	DATE
1	A1	Add Specifications	09/07/2006
1	A0	NEW RELEASE	