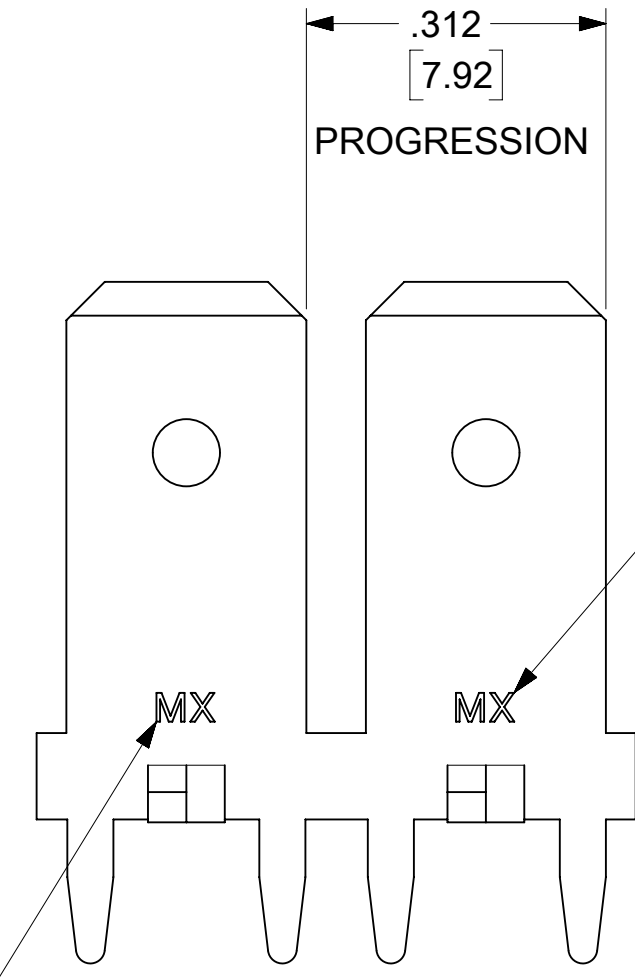
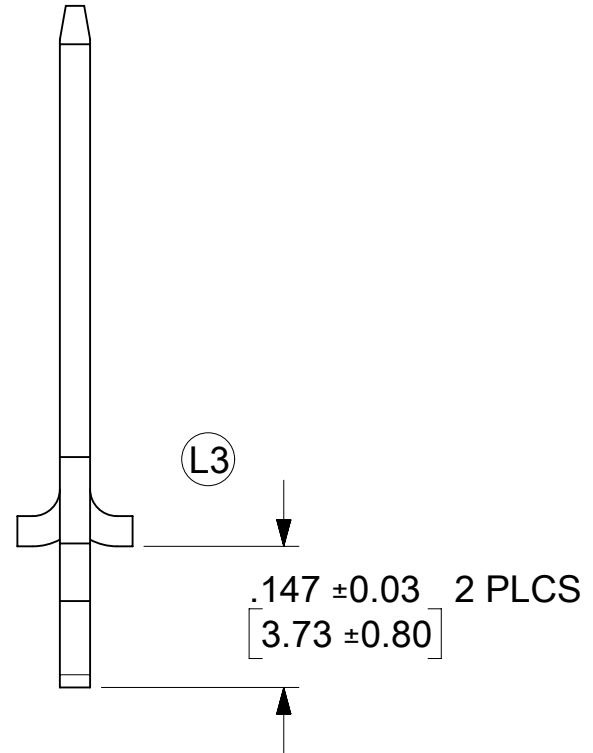
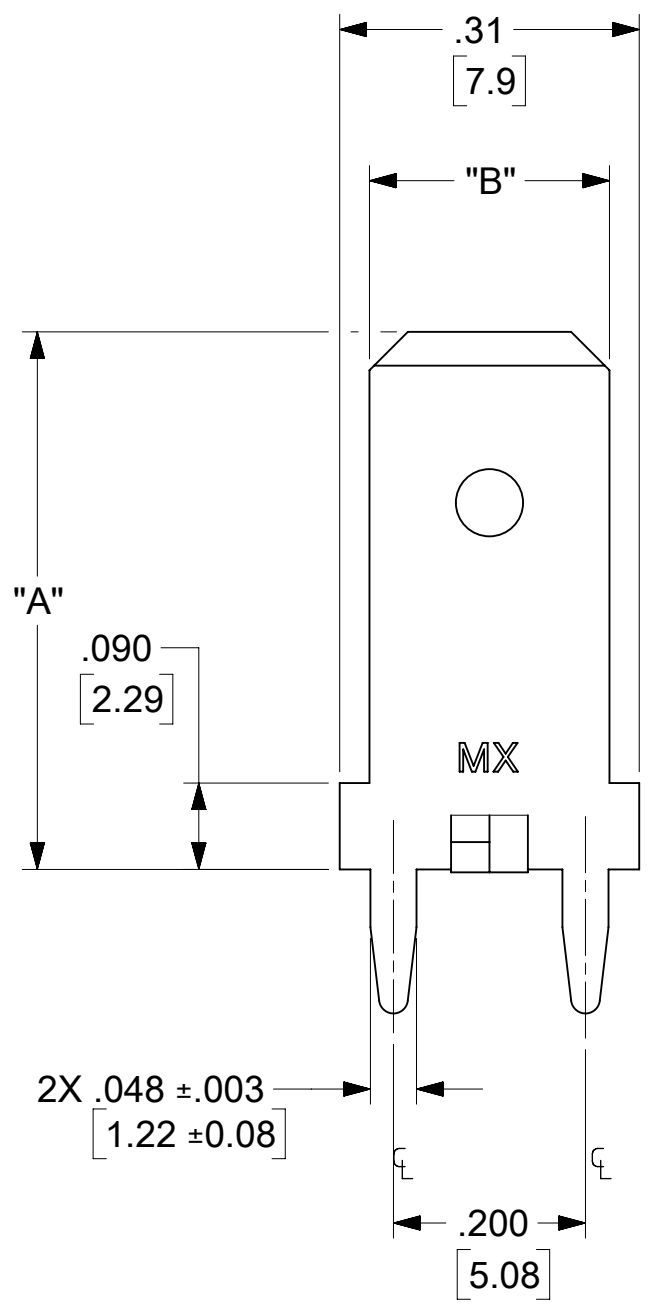
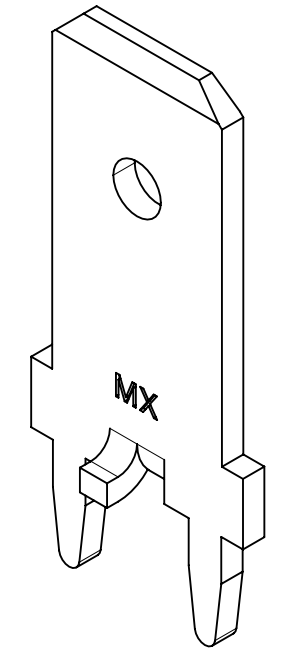
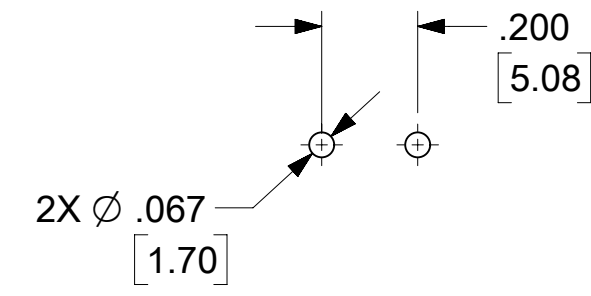


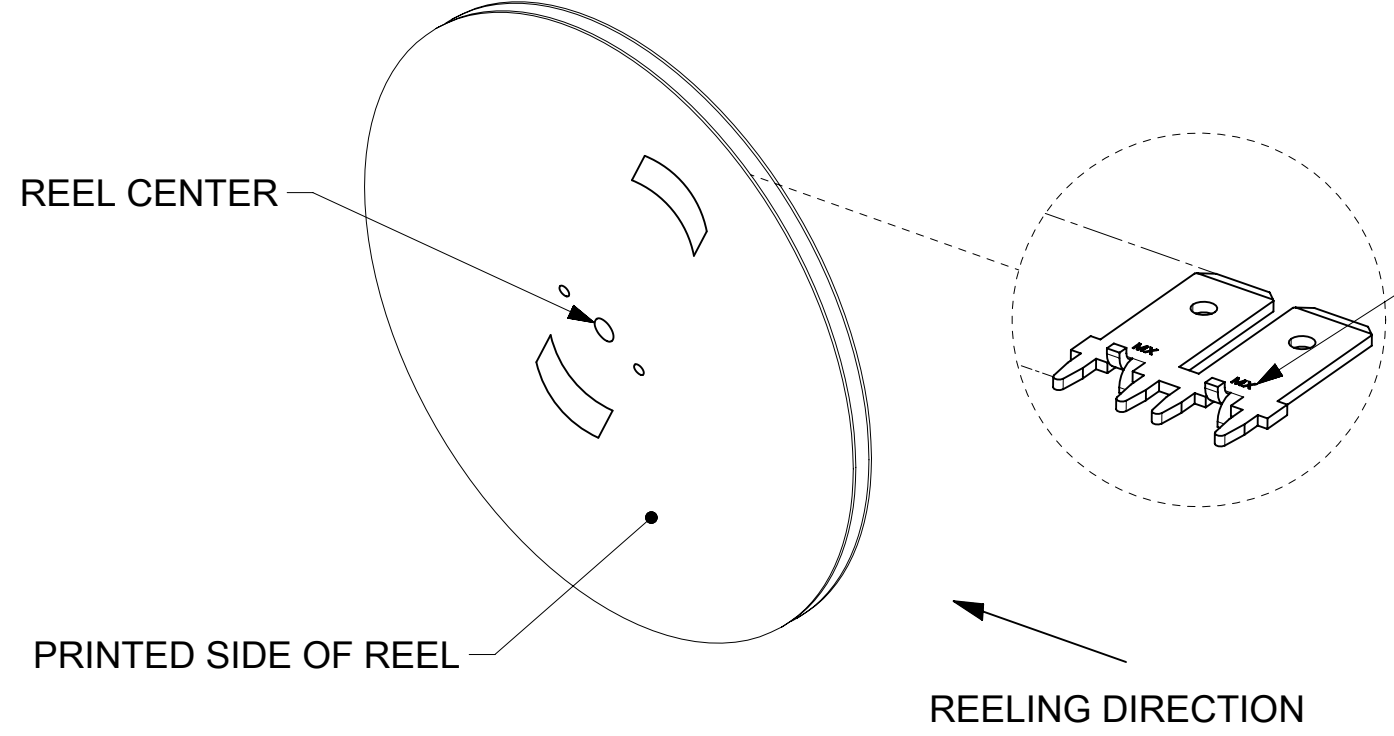
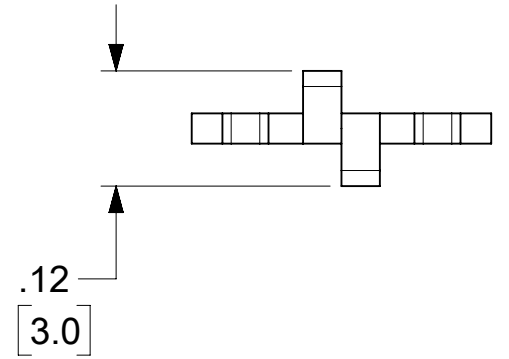
MATERIAL NUMBER	ENGINEERING NUMBER	CARRIER	LOGO ORIENTATION	DIMENSION "A"	DIMENSION "B"
197054003	19705-4003	STRIP	IN	.560/14.22	.250/6.35
197054103	19705-4103	STRIP	IN	.560/14.22	.187/4.75
197054203	19705-4203	STRIP	IN	.405/10.29	.250/6.35
197054001	19705-4001	LOOSE	-	.560/14.22	.250/6.35
197054101	19705-4101	LOOSE	-	.560/14.22	.187/4.75
197054201	19705-4201	LOOSE	-	.405/10.29	.250/6.35

RECOMMENDED PCB HOLE LAYOUT



LOGO OPTIONS: MX, ETC, MX-ETC, OR MXN MAY ALSO BE UPSIDE-DOWN FOR DIE IDENTIFICATION PURPOSES

SEE LOGO ORIENTATION ON CHART



- NOTES:
1. BARE EDGES PERMISSIBLE AT CARRIER CUT OFF.
 2. MATERIAL: BRASS C26000 (.032/0.81) THICK.
 3. TAB CONFORMS TO NEMA SPECIFICATIONS.
 4. ALL DIMENSIONS AND NOTES REFERENCE UNLESS OTHERWISE NOTED.
 5. PLATING: MATTE TIN OVER NICKEL 150µ IN/3.81 µ mm MINIMUM THICKNESS OVER NICKEL 50µ IN/1.25µ mm MINIMUM THICKNESS.
 6. 24" DIAMETER REEL WITH A 1.25" DIAMETER CENTER HOLE.
 7. PART IS RoHS COMPLIANT

THIS DRAWING CONTAINS INFORMATION THAT IS PROPRIETARY TO MOLEX ELECTRONIC TECHNOLOGIES, LLC AND SHOULD NOT BE USED WITHOUT WRITTEN PERMISSION									
DIMENSION UNITS INCH/MM		SCALE 5:1		CURRENT REV DESC: REMOVED OBSOLETE PART NUMBER AS PER PCN#513388				molex	
GENERAL TOLERANCES (UNLESS SPECIFIED)				EC NO: 743953					
		MM	INCH	DRWN: SUGEEB		2023/04/04		QUICK DISCONNECT PCB MOUNTABLE .250 & .187 X .032 TAB	
4 PLACES ±				CHK'D: GGA		2023/04/10		PRODUCT CUSTOMER DRAWING	
3 PLACES ±		± 0.005		APPR: GGA		2023/04/10		DOCUMENT NUMBER	
2 PLACES ±		± 0.13	± 0.01	INITIAL REVISION:				SD-19705-400	
1 PLACE ±		± 0.25		DRWN: EDB		11/08/96		PSD 001 M	
0 PLACES ±				APPR: RWD		11/08/96		DOC TYPE DOC PART REVISION	
ANGULAR TOL ± 0.5 °				THIRD ANGLE PROJECTION		DRAWING SERIES		MATERIAL NUMBER CUSTOMER SHEET NUMBER	
DRAFT WHERE APPLICABLE MUST REMAIN WITHIN DIMENSIONS				C-SIZE		19705		SEE TABLE GENERAL MARKET 1 OF 1	