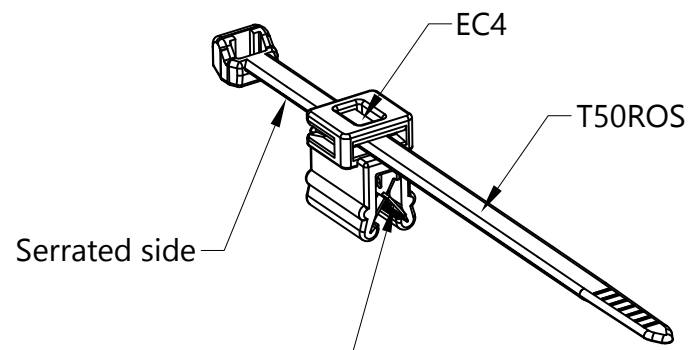
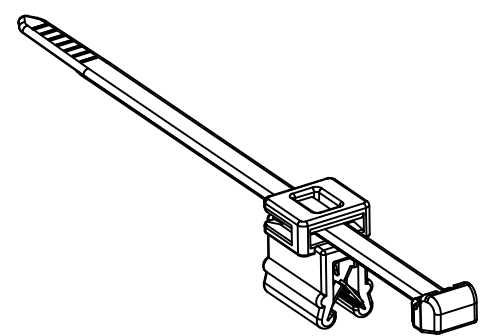


Delivery condition



Clamp TE4-511-000-K fit for material thickness 1 ~ 3mm



Reference:
1. Cable tie min loop tensile strength 225 newtons (50 lbf)

Notes:
Material: PA 66
Material: PA 46

A	B	G
1.3 ± 0.2	4.6 ± 0.2	200 ± 5

Revision Level			Revision Record	
Drawing	State	Part	ECN #SG08009-04	
00.0	Released	.		
Changed	Date (YYYY/MM/DD)			
Simon Ng	2020/03/05			
Approved	Date (YYYY/MM/DD)			
Edward Tan	2020/03/05			

All drawing revisions are stored in CAD PDM database

The copyright of this drawing is reserved by HellermannTyton.

Drawn	Date (YYYY/MM/DD)
Wendy Tan	2008/04/08
Approved	Date (YYYY/MM/DD)
Edward Tan	2008/04/08

HellermannTyton
www.HellermannTyton.com

Title: T50ROSEC4B
Drawing-No: **99-0760-050-CSH**

Scale: 1 : 1
Global Project Number: 99-0760
Format: A4
Sheet: 1 / 1